



# 300

## 916



Image may differ from NZ model.

## KEY FEATURES

- Wide Cabin
- Dual SRS Airbags
- ABS Brakes with Electronic Brakeforce Distribution
- Easy Start – Take Off Assist
- Ventilated Disc Brakes
- Corner Turning Lamps
- Energy Absorbing Steering Wheel

## KEY SPECIFICATIONS

- GVM.** . . . . . 8500kg
- GCM.** . . . . . 12,000kg
- Engine.** . . . 4.0-litre, Common Rail, Direct Injection,  
. . . . . Turbocharged and Intercooled
- Power.** . . . . . 110kW (155Hp) @ 2700rpm (ISO)
- Torque.** . . . . . 397Nm @ 1800rpm (ISO)
- Wheelbases** . 3870mm (Long), 4200mm (XLong)





# 916

XZU427R-HKFTDQ3 916 Long  
XZU437R-HKFTDQ3 916 X Long

## Engine, Driveline & Chassis specifications

### PERFORMANCE & GEAR RATIOS

Maximum speed (km/h) . . . . . 111 (Standard), 106 (Optional final drive ratio)  
Gradeability tan  $\theta$  % . . . . . 40.5 (Std), 43.1 (Option)

MYY6S

1st . . . . .	.5.979	5th . . . . .	.1.000
2nd . . . . .	.3.434	6th . . . . .	.0.759
3rd . . . . .	.1.862	Rev. . . . .	.5.701
4th . . . . .	.1.297		

Final drive ratio (Long and X Long) . . . 5.571:1  
(Special order only)

### ENGINE

Engine . . . . . Hino N04C TV  
Max output (ISO Net) . . . . . 110KW (155Hp) at 2700rpm  
Max torque (ISO Net) . . . . . 397Nm at 1800rpm  
Maximum engine speed . . . . . 3200rpm  
Type . . . . . Diesel, four cycle, four-cylinder in line, overhead valve, water cooled  
Combustion system . . . . . Direct injection type  
Bore & stroke . . . . . 104mm x 118mm  
Piston displacement . . . . . 4.009 litres  
Fuel injection system . . . . . Electronic control, common rail type  
Air intake system . . . . . Turbo-intercooled, stack-type air intake  
Air cleaner . . . . . Paper element  
Fan clutch . . . . . Equipped  
Catalytic converter . . . . . Equipped  
Exhaust outlet . . . . . Horizontal

### TRANSMISSION

Model Manual . . . . . MYY6S  
Type . . . . . Six-speed overdrive manual, synchromesh on all gears including reverse

### CLUTCH

Type . . . . . Dry single plate, diaphragm type with damper springs  
Facing material . . . . . Semi-mould  
Facing outside diameter . . . . . 325mm  
Facing lining area . . . . . 4483 x 2cm<sup>2</sup>  
Control . . . . . Hydraulic with vacuum booster

### BRAKES

Service brakes . . . . . Hydraulic system with ventilated disc brakes front and rear  
Control . . . . . Vacuum servo with hydraulic assist & dual circuits  
Front disc diameter . . . . . 296mm  
Rear disc diameter . . . . . 281mm  
Anti-lock system (ABS) . . . . . Equipped  
Electronic Brakeforce Distribution (EBD) Equipped  
Easy Start system . . . . . Equipped  
Exhaust brake . . . . . Electric-vacuum actuator with valve in exhaust pipe

### AXLE LOAD & TYRE LOAD LIMITS

Front axle . . . . . 3100kg  
Tyres . . . . . 3100kg (225/80R17.5 Tyres)  
Rear axle . . . . . 6200kg  
Tyres . . . . . 6000kg (225/80R17.5 Tyres)  
Front axle type . . . . . Reversed Elliot, "I" section beam  
Rear axle type . . . . . Full-floating, single reduction, single speed by Hypoid gears

### SUSPENSION

**Front suspension** . . . . . Semi-elliptic tapered leaf springs with silencers, shock absorbers and stabiliser bar  
Spring dimensions, span & width . . . 1250mm x 70mm  
**Rear suspension** . . . . . Semi-elliptic main and auxiliary tapered leaf springs with silencers and shock absorbers  
Spring dimensions, span & width . . . 1300mm x 70mm  
Auxiliary springs . . . . . 900mm x 70mm

### WHEEL & TYRES

Wheel type . . . . . 6-stud disc wheel  
Wheel & rim size . . . . . 225/80R17.5 123/122 & 17.5 x 6.00 – 127mm  
Number of tyres . . . . . Seven including spare  
Spare tyre carrier . . . . . Equipped

### ELECTRICAL

Type . . . . . 24 volt, negative earth  
Batteries . . . . . 12V x 2, series connected  
Alternator type . . . . . Built-in rectifier and voltage regulator  
Capacity . . . . . 24V – 60-A  
Starter capacity . . . . . 24V, 4.5kW

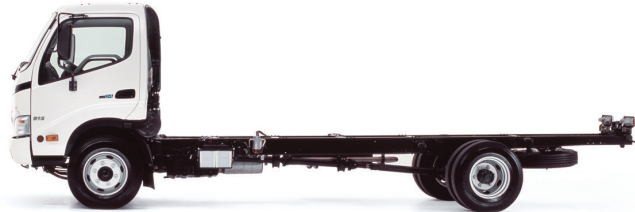
### CHASSIS FRAME

Type . . . . . Ladder-shaped channel section side rails  
Chassis width at rear . . . . . 750mm  
Max. section (depth x flange x thickness) . . . . . 192.8 x 65 x 5.9mm  
Tensile strength . . . . . 540N/mm<sup>2</sup>  
Towing hooks . . . . . Equipped at front and rear  
Front bumper . . . . . Painted to cabin colour

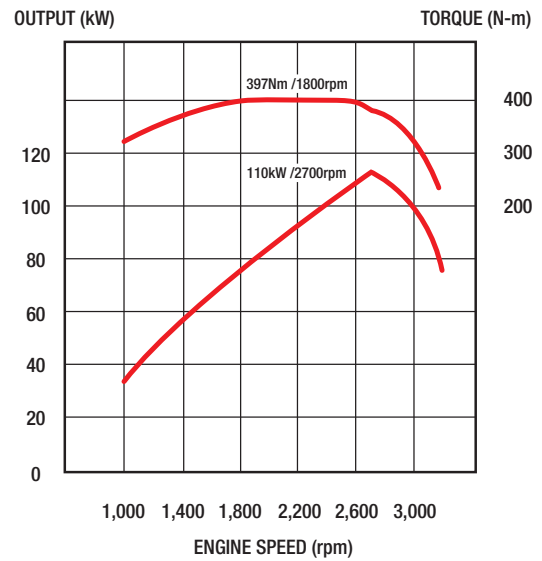


916

# Cab equipment & Instrumentation



## POWER & TORQUE CHART (ISO Net)



### CAB EXTERIOR

Type . . . . .	Forward control, all steel welded construction, torsion-bar tilt mechanism, fully trimmed
Windscreen wipers. . . . .	Electric, dual wipers, intermittent and 2-speed
Outside rear mirrors . . . . .	Two pillar mounted curved
Radiator grille . . . . .	Painted same colour as cabin
Lamps . . . . .	Halogen headlamps, cornering lamps

### CAB INTERIOR

Steering . . . . .	Telescopic tilt column with integral power steering
Windscreen glass . . . . .	Laminated glass
Seating capacity . . . . .	Three
Driver's seat . . . . .	2-way adjustable, urethane foam pads, high-back seat
Assistant's seat . . . . .	Fixed, urethane foam pads, high-back seat
Seat cover . . . . .	Fabric cover

#### Seat belts

Driver's seat . . . . .	3-point type with ELR and pre-tensioner
Assistant's seat . . . . .	3-point type with ELR and pre-tensioner
Centre passenger's seat . . . . .	2-point type
Sun visors . . . . .	For driver and passenger
Ventilator . . . . .	Forced type by electric blower
Inside rear mirror . . . . .	One, flat type
Cigarette lighter (24 volt) . . . . .	Equipped
Audio . . . . .	AM/FM radio with CD player
Heater and defroster . . . . .	Equipped
Air conditioner . . . . .	Equipped
Auto door lock . . . . .	Equipped
Power windows . . . . .	Equipped
SRS airbags . . . . .	Equipped for driver
Seat back console . . . . .	Equipped (centre)
Overhead consoles. . . . .	For driver and assistant
Ash tray 1-pc. . . . .	Equipped
Door pockets (both sides) . . . . .	Equipped
Assist grip . . . . .	Equipped
Coat hook . . . . .	Equipped
Pen holder. . . . .	Equipped
Cup holders . . . . .	Equipped

### INSTRUMENTS

#### 1. Meter and gauges

- km-kg system
- Speedometer with odometer and 2 trip meters
- Fuel gauge
- Coolant temperature gauge
- Engine tachometer

#### 2. Warning, pilot lamps and buzzers

- Turning signal & hazard indicator lamp
- Exhaust brake indicator lamp
- Engine oil pressure warning lamp
- Battery charge warning lamp
- Beam indicator lamp
- Parking brake indicator lamp
- Engine malfunction indicator lamp
- Fuel level warning lamp
- Fuel filter water accumulating level warning lamp
- Brake fluid level warning lamp
- Back-up warning buzzer
- Cab-tilt warning lamp
- ABS system failure warning lamp
- SRS airbag system failure warning lamp
- Easy Start indicator lamp

#### 3. Switches

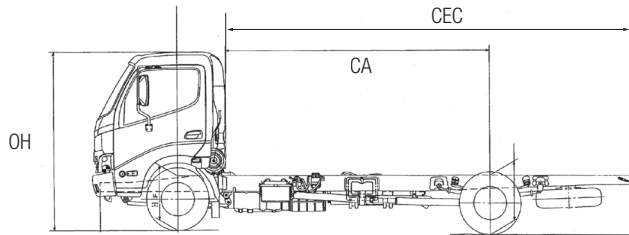
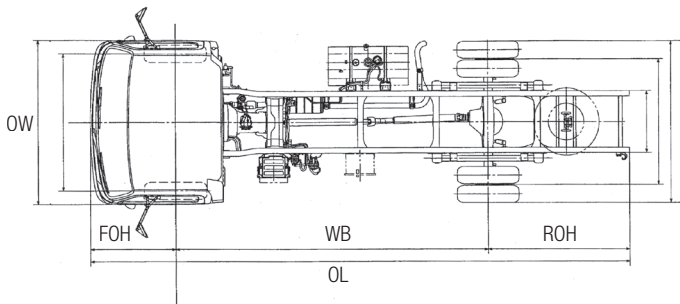
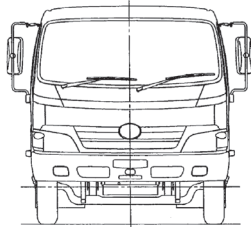
- Lighting switch
- Directional indicator, dimmer, passing switch
- Room lamp switch
- Hazard lamp switch
- Wiper and washer switch
- Exhaust brake switch
- Easy Start switch
- Easy Start release timing adjuster switch

#### 4. Others

- One-key starting-stopping
- Horn button
- Remote keyless entry



# 916 Dimensions



## DIMENSIONS - mm / Capacities

Product code	XZU427R- . . . . .	XZU437R- . . . . .
	HKFTDQ3	HKFTDQ3
Model	<b>Long</b>	<b>XLong</b>
Wheelbase (WB)	3870	.4200
Overall length (OL)	6675	.7185
Overall width (OW)	2060	.2060
Overall height (OH)	2235	.2235
Cab to axle centre (CA)	3280	.3610
Front overhang (FOH)	1045	.1045
Rear overhang (ROH)	1760	.1940
Back of Cab to End of Chassis (CEC)	5040	.5550
Front chassis height	.725	.725
Rear chassis height	.820	.820
Road clearance	.225	.225
Turning circle - m (kerb-to-kerb)	13.6	.14.6
Turning circle - m (wall-to-wall)	15.0	.16.0
Fuel tank – lt.	.100	.100
<b>Chassis mass – kg</b> (minimal fuel, without a spare tyre or tools)		
Total	2450	.2490
Front	1575	.1585
Rear	.860	.885
GVM	8500	.8500
GCM	12,000	.12,000

## WARRANTIES

New vehicle warranty period

Light Duty Model	Axle configuration	Standard warranty <small>(whichever comes first)</small>	Cab corrosion perforation
<b>300 916</b>	4 x 2	<b>3 years or 100,00km</b>	<b>36 months</b>

Battery warranty is 12 months from date of delivery.

## DISCLAIMER

Important notice. Hino Trucks are distributed in New Zealand by Hino Distributors (NZ) Ltd.

All effort has been made to ensure the information contained in this brochure was correct at time of printing. Hino Distributors (NZ) Ltd reserves the right to alter any details of the specifications & equipment without notice. Hino in so far as it is permitted by law to do so, shall not be liable in any way as a result of any reliance placed by any person on anything contained in this brochure. You should therefore check with your authorised Hino dealer at the time of ordering your motor vehicle to ensure that colour, specifications, equipment, design features & options are available for the vehicle you are ordering. Please note that some options may only be available in combination with others. Authorised Hino dealers will on request provide up to date information on all accessories, design features, prices & availability.