



# 300

## 816 Crew Cab



Image may differ from NZ model.

### KEY FEATURES

- Crew Cab, Seven Seats
- Manual or Automatic Transmission
- Dual SRS Airbags
- ABS Brakes with Electronic Brakeforce Distribution
- Easy Start – Take Off Assist (Manual only)
- Ventilated Disc Brakes
- Corner Turning Lamps
- Energy Absorbing Steering Wheel

### KEY SPECIFICATIONS

- GVM** 7500kg, Auto 7300kg, optional 5995kg, 4500kg
- GCM** . . . 11,000kg, optional 7995kg, Auto 7300kg
- Engine** . . . 4.0-litre, Common Rail, Direct Injection, Turbocharged and Intercooled
- Power** . . . . . 110kW (155Hp)@ 2700rpm (ISO)
- Torque** . . . . . 397Nm @ 1800rpm (ISO)
- Wheelbase** . . . . . 3870mm



# 816 Crew Cab

XZU427R-QKFRDQ3 816 Crew  
XZU427R-QKTRDQ3 816 Crew Auto

## Engine, Driveline & Chassis specifications



### ENGINE

|                       |   |
|-----------------------|---|
| Engine                | Hino N04C TV  |
| Max output (ISO Net)  | 110kW (155Hp) at 2700rpm  |
| Max torque (ISO Net)  | 397Nm at 1800rpm  |
| Maximum engine speed  | 3200rpm   |
| Type                  | Diesel, four cycle, four-cylinder in line, overhead valve, water cooled |
| Combustion system     | Direct injection type   |
| Bore & stroke         | 104mm x 118mm   |
| Piston displacement   | 4.009 litres  |
| Fuel injection system | Electronic control, common rail type                                    |
| Air intake system     | Turbo-intercooled, air intake   |
| Air cleaner           | Paper element   |
| Fan clutch            | Equipped  |
| Catalytic converter   | Equipped  |
| Exhaust outlet        | Horizontal  |

### TRANSMISSION

|                      |   |
|----------------------|---|
| Manual               | MYG6S   |
| Type                 | Six-speed overdrive manual, synchromesh on all gears including reverse  |
| Auto                 | A860E   |
| Type                 | Six-speed electronically controlled overdrive automatic with torque converter lock-up on 2nd, 3rd, 4th, 5th and 6th gears |
| Hill Descent Control | Equipped (L3)   |

### CLUTCH

|                         |  |
|-------------------------|--|
| Type                    | Dry single plate, diaphragm type with damper springs |
| Facing material         | Semi-mould   |
| Facing outside diameter | 325mm  |
| Facing lining area      | 483 x 2cm <sup>2</sup>                               |
| Control                 | Hydraulic with vacuum booster                        |

### BRAKES

|  |   |
|--|---|
| Service brakes                           | Hydraulic system with ventilated disc brakes front and rear |
| Control                                  | Vacuum servo with hydraulic assist & dual circuits          |
| Front disc diameter                      | 296mm   |
| Rear disc diameter                       | 287mm   |
| Anti-lock system (ABS)                   | Equipped  |
| Electronic Brakeforce Distribution (EBD) | Equipped  |
| Easy Start system                        | Equipped (Manual only)                                      |
| Exhaust brake                            | Electric-vacuum actuator with valve in exhaust pipe         |

### PERFORMANCE & GEAR RATIOS

|                             |                            |
|-----------------------------|----------------------------|
| Maximum speed (km/h)        | 111 (manual), 122 (Auto0)  |
| Gradeability tan $\theta$ % | 47.4 (manual), 31.0 (Auto) |

#### MYG6S

|     |        |      |        |
|-----|--------|------|--------|
| 1st | .5.979 | 5th  | .1.000 |
| 2nd | .3.434 | 6th  | .0.759 |
| 3rd | .1.862 | Rev. | .5.701 |
| 4th | .1.297 |      |        |

#### A860E

|     |        |      |        |
|-----|--------|------|--------|
| 1st | .3.742 | 5th  | .0.773 |
| 2nd | .2.003 | 6th  | .0.634 |
| 3rd | .1.343 | Rev. | .3.697 |
| 4th | .1.000 |      |        |

Final drive ratio . . . . . 5.375:1 (Manual) 5.833:1 (Auto)

### AXLE LOAD & TYRE LOAD LIMITS

|                 |   |
|-----------------|---|
| Front axle      | 3100kg  |
| Tyres           | 2800kg (215/85R16 Tyres)  |
| Rear axle       | 5500kg  |
| Tyres           | 5280kg (215/85R16 Tyres)  |
| Front axle type | Reversed Elliot, "I" section beam                                   |
| Rear axle type  | SH12, full-floating, single reduction, single speed by Hypoid gears |

### SUSPENSION

|                                 |  |
|---------------------------------|--|
| Front suspension                | Semi-elliptic tapered leaf springs with silencers, shock absorbers and stabiliser bar    |
| Spring dimensions, span & width | 1250mm x 70mm  |
| Rear suspension                 | Semi-elliptic main and auxiliary tapered leaf springs with silencers and shock absorbers |
| Spring dimensions, span & width | 1300mm x 70mm  |
| Auxiliary springs               | 900mm x 70mm   |

### WHEEL & TYRES

|                    |                                    |
|--------------------|------------------------------------|
| Wheel type         | 6-stud disc wheel                  |
| Wheel & rim size   | 215/85R16 120/118 & 16x5.5K- 122mm |
| Number of tyres    | Seven including spare              |
| Spare tyre carrier | Equipped                           |



# 816 Crew Cab

## Cab equipment & Instrumentation

### ELECTRICAL

|                            |  |
|----------------------------|--|
| Type . . . . .             | 24 volt, negative earth                  |
| Batteries . . . . .        | 12V x 2, series connected                |
| Alternator type . . . . .  | Built-in rectifier and voltage regulator |
| Capacity . . . . .         | 24V – 60A                                |
| Starter capacity . . . . . | 24V, 4.5kW                               |

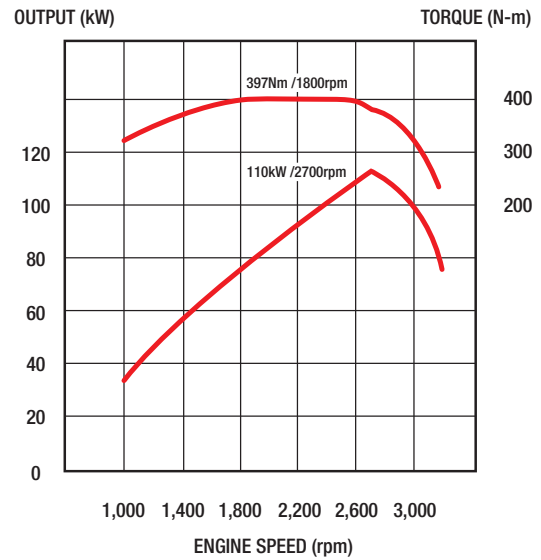
### CAB INTERIOR

|                            |  |
|----------------------------|--|
| Type . . . . .             | Forward control, all steel-welded construction with power tilt mechanism |
| Steering . . . . .         | Telescopic tilt column with integral power steering                      |
| Windscreen glass . . . . . | Laminated glass  |
| Seating capacity . . . . . | Seven  |
| Driver's seat . . . . .    | 2-way adjustable, urethane foam pads, high-back seat                     |
| Assistant's seat . . . . . | Fixed, urethane foam pads, high-back seat                                |
| Seat cover . . . . .       | Fabric cover   |

#### Seat belts

|   |  |
|---|--|
| Driver's seat . . . . .                   | 3-point type with ELR and pre-tensioner          |
| Assistant's seat . . . . .                | 3-point type with ELR and pre-tensioner          |
| Centre passenger's seat . . . . .         | 2-point type                                     |
| Rear outboard passenger seats . . . . .   | 3-point type with ELR                            |
| Rear centre seats . . . . .               | 2-point type                                     |
| Sun visors . . . . .                      | For driver and passenger                         |
| Ventilator . . . . .                      | Forced type by electric blower                   |
| Inside rear mirror . . . . .              | One, flat type                                   |
| Cigarette lighter (24 volt) . . . . .     | Equipped   |
| Audio . . . . .                           | AM/FM radio with CD player                       |
| Heater and defroster . . . . .            | Equipped   |
| Air conditioner . . . . .                 | Equipped   |
| Auto door lock . . . . .                  | Equipped   |
| Power windows . . . . .                   | Equipped   |
| SRS airbags . . . . .                     | Equipped for driver and front outboard assistant |
| Seat back console . . . . .               | Equipped (centre)                                |
| Overhead consoles . . . . .               | For driver and assistant                         |
| Ash trays . . . . .                       | Front, 3-pc<br>Rear, 2-pc                        |
| Front door pockets (both sides) . . . . . | Equipped   |
| Assist grip . . . . .                     | Equipped   |
| Coat hook . . . . .                       | Equipped   |
| Card holder (front & rear) . . . . .      | Equipped   |
| Pen holder . . . . .                      | Equipped   |
| Cup holder . . . . .                      | Equipped   |

### POWER & TORQUE CHART (ISO Net)



### CHASSIS FRAME

|   |  |
|---|--|
| Type . . . . .                                      | Ladder-shaped channel section side rails |
| Chassis width at rear . . . . .                     | 750mm                                    |
| Max. section (depth x flange x thickness) . . . . . | 192.8 x 65 x 5.9mm                       |
| Tensile strength . . . . .                          | 540N/mm <sup>2</sup>                     |
| Towing hooks . . . . .                              | Equipped at front and rear               |
| Front bumper . . . . .                              | Painted to cabin colour                  |

### INSTRUMENTS

#### 1. Meter and gauges

- km-kg system
- Speedometer with odometer and 2 trip meters
- Fuel gauge
- Coolant temperature gauge
- Engine tachometer

#### 2. Switches

- Lighting
- Directional indicator, dimmer, passing
- Room lamp
- Hazard lamp
- Wiper and washer
- Exhaust brake
- Easy Start (Manual only)
- Easy Start release timing adjuster

#### 3. Warning lamps and buzzers .

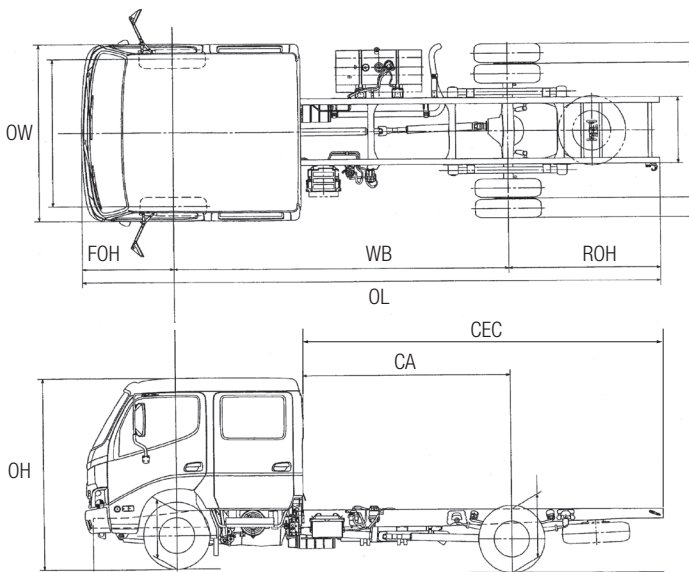
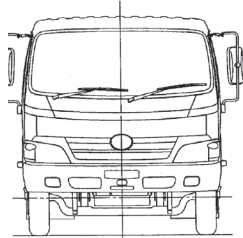
- Turning signal & hazard indicator lamp
- Exhaust brake indicator lamp
- Engine oil pressure lamp
- Battery charge lamp
- Beam indicator lamp
- Parking brake indicator lamp
- Engine malfunction indicator lamp
- Fuel level lamp
- Fuel filter water accumulating
- Brake fluid level lamp
- Back-up warning buzzer
- ABS system failure lamp
- SRS airbag system failure lamp
- Easy Start indicator lamp
- Transmission oil temperature (Auto)

#### 4. Others

- One-key starting-stopping
- Horn button
- Remote keyless entry



# 816 Crew Cab Dimensions



## DIMENSIONS - mm / Capacities

|  |                              |                    |
|--|------------------------------|--------------------|
| Product code . . . . .   | XZU427R-QKFRDQ3 . . . . .    | XZU427R-QRTRDQ3    |
| Model . . . . .  | 816 Crew Manual . . . . .    | 816 Crew Auto      |
| Wheelbase (WB) . . . . .   | .3870 . . . . .              | .3870              |
| Overall length (OL) . . . . .  | .6675 . . . . .              | .6675              |
| Overall width (OW) . . . . .   | .1995 . . . . .              | .1995              |
| Overall height (OH) . . . . .  | .2215 . . . . .              | .2215              |
| Cab to axle centre (CA) . . . . .                                      | .2390 . . . . .              | .2390              |
| Front overhang (FOH) . . . . .   | .1045 . . . . .              | .1045              |
| Rear overhang (ROH) . . . . .  | .1760 . . . . .              | .1760              |
| Back of Cab to End of Chassis (CEC) . . . . .                          | .4150 . . . . .              | .4150              |
| Front chassis height . . . . .   | .705 . . . . .               | .705               |
| Rear chassis height . . . . .  | .800 . . . . .               | .800               |
| Road clearance . . . . .   | .210 . . . . .               | .200               |
| Turning circle - m (kerb-to-kerb) . . . . .                            | 12.6 . . . . .               | 12.6               |
| Turning circle - m (wall-to-wall) . . . . .                            | 14.0 . . . . .               | 14.0               |
| Fuel tank – lt. . . . .  | 100 . . . . .                | 100                |
| <b>Chassis mass – kg</b> (minimal fuel, without a spare tyre or tools) |                              |                    |
| Total . . . . .  | .2615 . . . . .              | .2635              |
| Front . . . . .  | .1740 . . . . .              | .1760              |
| Rear . . . . .   | .875 . . . . .               | .875               |
| GVM . . . . .  | 4500 / 5995 / 7500 . . . . . | 4500 / 5995 / 7300 |
| GCM . . . . .  | 11,000 . . . . .             | 7300               |

## WARRANTIES

New vehicle warranty period

| Light Duty Model | Axle configuration | Standard warranty<br>(whichever comes first) | Cab corrosion perforation |
|------------------|--------------------|--|---------------------------|
| 300 816 Crew Cab | 4 x 2              | 3 years or 100,00km                          | 36 months                 |

Battery warranty is 12 months from date of delivery.

## DISCLAIMER

Important notice. Hino Trucks are distributed in New Zealand by Hino Distributors (NZ) Ltd.

All effort has been made to ensure the information contained in this brochure was correct at time of printing. Hino Distributors (NZ) Ltd reserves the right to alter any details of the specifications & equipment without notice. Hino in so far as it is permitted by law to do so, shall not be liable in any way as a result of any reliance placed by any person on anything contained in this brochure. You should therefore check with your authorised Hino dealer at the time of ordering your motor vehicle to ensure that colour, specifications, equipment, design features & options are available for the vehicle you are ordering. Please note that some options may only be available in combination with others. Authorised Hino dealers will on request provide up to date information on all accessories, design features, prices & availability.