



300

614 Dump



Image may differ from NZ model.

KEY FEATURES

- ABS Brakes with Electronic Brakeforce Distribution
- Easy Start – Take Off Assist
- Ventilated Disc Brakes
- Corner Turning Lamps
- Energy Absorbing Steering Wheel
- Factory Dump 1.9m³ Body
- Two-Way Tail Gate with Drop Sides

KEY SPECIFICATIONS

- GVM** 5500kg, optional 4500kg
- GCM** 9000kg, optional 7995kg
- Engine** . . .4.0-litre, Common Rail, Direct Injection,
Turbocharged and Intercooled
- Power** 100kW (140Hp) @ 2700rpm
- Torque** 358Nm @ 1800rpm
- Wheelbase** 2525mm



614 Dump

XZU307R-HKMMBQ3 614 Dump

Engine, Driveline & Chassis specifications

ENGINE

Engine	Hino N04C TU
Max output (ISO Net)	100kW (140Hp) at 2700rpm
Max torque (ISO Net)	358Nm at 1800rpm
Maximum engine speed	3200rpm
Type	Diesel, four cycle, four-cylinder in line, overhead valve, water cooled
Combustion system	Direct injection type
Bore & stroke	104 x 118mm
Piston displacement	4.009 litres
Fuel injection system	Electronic control, common rail type
Air intake system	Turbo-intercooled, air intake
Air cleaner	Paper element
Fan clutch	Equipped
Catalytic converter	Equipped
Exhaust outlet	Horizontal

TRANSMISSION

Model	M550
Type	Five-speed overdrive manual
Clutch type	Dry single plate, diaphragm type with damper springs
Facing outside diameter	300mm
Facing lining area	423 x 2cm ²
Control	Hydraulic with vacuum booster
PTO	Transmission PTO
Hydraulic pump	Gear type
PTO & dump control	Levers in cabin

BRAKES

Service brakes	Hydraulic system with ventilated disc brakes front and rear
Control	Vacuum servo with hydraulic assist & dual circuits
Front disc diameter	296mm
Rear disc diameter	281mm
Anti-lock system (ABS)	Equipped
Electronic Brakeforce Distribution (EBD)	Equipped
Easy Start system	Equipped
Exhaust brake	Electric-vacuum actuator with valve in exhaust pipe

PERFORMANCE & GEAR RATIOS

Maximum speed (km/h)	112
Gradeability tan θ %	50.0

1st	4.981	4th	1.000
2nd	2.911	5th	0.738
3rd	1.556	Rev.	4.625

Final drive ratio 5.125:1

AXLE LOAD & TYRE LOAD LIMITS

Front axle	2600kg
Tyre	2180kg (185/85R16 Tyres)
Rear axle	4400kg
Tyre	4120kg (185/85R16 Tyres)
Front axle type	Reversed Elliot, "I" section beam
Rear axle type	SH12 full-floating, single reduction, single speed by Hypoid gears

SUSPENSION

Front suspension	Semi-elliptic tapered leaf springs with silencers, shock absorbers and stabiliser bar
Spring dimensions, span & width	1250mm x 70mm
Rear suspension	Semi-elliptic main and auxiliary tapered leaf springs with silencers and shock absorbers
Spring dimensions, span & width	1300mm x 70mm
Auxiliary springs	1000mm x 70mm

WHEEL & TYRES

Wheel type	5-stud disc wheel
Wheel & rim size	185/85R16 111/109 & 15 x 5J - 110mm
Number of tyres	Seven including spare
Spare tyre carrier	Equipped

ELECTRICAL

Type	24 volt, negative earth
Batteries	12V x 2, series connected
Alternator type	Built-in rectifier and voltage regulator
Capacity	24V - 60-A
Starter capacity	24V, 4.5kW

CHASSIS FRAME

Type	Ladder-shaped channel section side rails
Chassis width at rear	700mm
Max. section (depth x flange x thickness)	180 x 65 x 6.0mm
Tensile strength	440N/mm ²
Towing hooks	Equipped at front and rear
Front bumper	Painted to cabin colour



614 Dump

Cab equipment & Instrumentation



CAB EXTERIOR

Type	Forward control, all steel welded construction, torsion-bar tilt mechanism, fully trimmed
Windscreen wipers	Electric, dual wipers, intermittent and 2-speed
Outside mirrors	Two, pillar mounted curved
Radiator grille	Painted same colour as cabin
Lamps	Halogen headlamps, cornering lamps

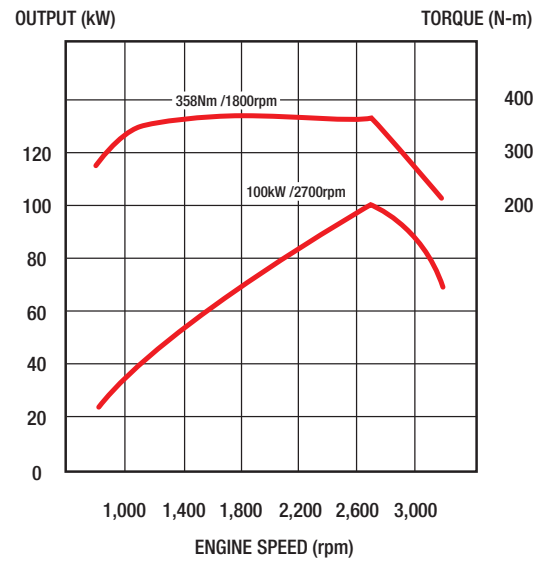
CAB INTERIOR

Steering	Telescopic tilt column with integral power steering
Windscreen glass	Laminated glass
Seating capacity	Three
Driver's seat	2-way adjustable, urethane foam pads, high-back seat
Assistant's seat	Fixed, urethane foam pads, high-back seat
Seat cover	Fabric cover
Seat belts	
Driver's seat	3-point type with ELR and pre-tensioner
Assistant's seat	3-point type with ELR
Centre passenger's seat	2-point type
Sun visors	For driver and passenger
Ventilator	Forced type by electric blower
Inside rear mirror	One, flat type
Cigarette lighter (24 volt)	Equipped
Audio	AM/FM radio with CD player
Heater and defroster	Equipped
Air conditioner	Equipped
Auto door lock	Equipped
Power windows	Equipped
Seat back console	Equipped (centre)
Overhead consoles	For driver and assistant
Cup holder	Equipped

DUMP BODY

Capacity	1.9m ³
Dump angle	60 degrees

POWER & TORQUE CHART (ISO Net)



INSTRUMENTS

1. Meter and gauges

- km-kg system
- Speedometer
- Fuel gauge
- Coolant temperature gauge
- Engine tachometer

2. Warning, pilot lamps and buzzers

- Turning signal & hazard indicator lamp
- Exhaust brake indicator lamp
- Engine oil pressure warning lamp
- Battery charge warning lamp
- High beam indicator lamp
- Parking brake indicator lamp
- Engine malfunction indicator lamp
- Fuel level warning lamp
- Fuel filter water accumulating level warning lamp
- Brake fluid level warning lamp
- Back-up warning buzzer
- Cab-tilt warning lamp
- ABS system failure warning lamp
- Easy Start indicator lamp

3. Switches

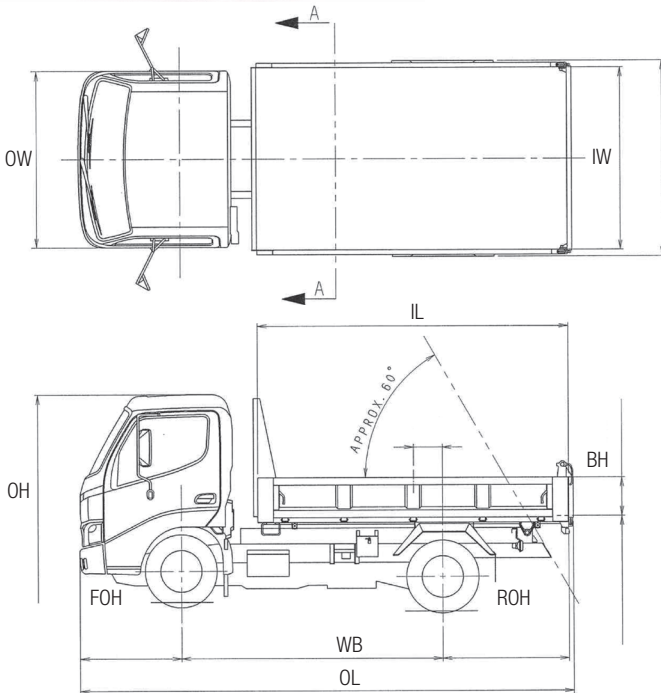
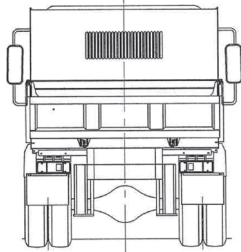
- Lighting switch
- Directional indicator, dimmer, passing switch
- Room lamp switch
- Hazard lamp switch
- Wiper and washer switch
- Exhaust brake switch
- Easy Start switch
- Easy Start release timing adjuster

4. Others

- One-key starting-stopping
- Horn button
- Remote keyless entry



614 Dump Dimensions



DIMENSIONS - mm / Capacities

Product code	XZU307R-HKMMBQ3 DUMP
Model	614 Dump
Wheelbase (WB)	2525
Overall length (OL)	4760
Overall width (OW)	1880
Overall height (OH)	2080
Front overhang (FOH)	980
Rear overhang (ROH)	1220
Inside body length (IL)	3000
Inside body width	1750
Body side height (BH)	370
Road clearance	185
Turning circle – m	10.4
Fuel tank – lt.	80
Chassis mass – kg (minimal fuel, without spare tyre or tools)	
Total	2760
Front	1525
Rear	1235
GVM	4500 / 5500
GCM	7995 / 9000

WARRANTIES

New vehicle warranty period

Light Duty Model	Axle configuration	Standard warranty <small>(whichever comes first)</small>	Cab corrosion perforation
300 614 Dump	4 x 2	3 years or 100,00km	36 months

Battery warranty is 12 months from date of delivery.

DISCLAIMER

Important notice. Hino Trucks are distributed in New Zealand by Hino Distributors (NZ) Ltd.

All effort has been made to ensure the information contained in this brochure was correct at time of printing. Hino Distributors (NZ) Ltd reserves the right to alter any details of the specifications & equipment without notice. Hino in so far as it is permitted by law to do so, shall not be liable in any way as a result of any reliance placed by any person on anything contained in this brochure. You should therefore check with your authorised Hino dealer at the time of ordering your motor vehicle to ensure that colour, specifications, equipment, design features & options are available for the vehicle you are ordering. Please note that some options may only be available in combination with others. Authorised Hino dealers will on request provide up to date information on all accessories, design features, prices & availability.