



300

614



Image may differ from NZ model.

KEY FEATURES

- Driver's SRS Airbag
- ABS Brakes with Electronic Brakeforce Distribution
- Easy Start – Take Off Assist
- Ventilated Disc Brakes
- Corner Turning Lamps
- Energy Absorbing Steering Wheel

KEY SPECIFICATIONS

- GVM** 5500kg, optional 4500kg
- GCM**9000kg, optional 7995kg, Auto 7300kg
- Engine** . . .4.0-litre, Common Rail, Direct Injection, Turbocharged and Intercooled
- Power**100kW (140Hp) @ 2700rpm (ISO)
- Torque**358Nm @ 1800rpm (ISO)
- Wheelbases** 2525mm – Short & Auto
3400mm – Medium



614

XZU307R-HKMMBQ3 614 Short
 XZU307R-HKTMBQ3 614 Auto
 XZU347R-HKMMBQ3 614 Medium

Engine, Driveline & Chassis specifications

ENGINE

Engine Hino N04C TU
 Max output (ISO Net) 100kW (140Hp) at 2700rpm
 Max torque (ISO Net) 358Nm at 1800rpm
 Maximum engine speed 3200rpm
 Type Diesel, four cycle, four-cylinder in line, overhead valve, water cooled
 Combustion system Direct injection type
 Bore & stroke 104 x 118mm
 Piston displacement 4.009 litres
 Fuel injection system Electronic control, common rail type
 Air intake system Turbo-intercooled, front air intake
 Air cleaner Paper element
 Fan clutch Equipped
 Catalytic converter Equipped
 Exhaust outlet Horizontal

TRANSMISSION

Short & Medium M550
 Type Five-speed overdrive manual
 Clutch type Dry single plate, diaphragm type with damper springs
 Facing outside diameter 325mm
 Facing lining area 483 x 2cm²
 Control Hydraulic with vacuum booster
Auto A860E
 Type Six-speed electronically controlled overdrive automatic with torque converter lock-up on 2nd, 3rd, 4th, 5th and 6th gears
 Hill descent control Equipped (L3)

BRAKES

Service brakes Hydraulic system with ventilated disc brakes front and rear
 Control Vacuum servo with hydraulic assist & dual circuits
 Front disc diameter 296mm
 Rear disc diameter 281mm
 Anti-lock system (ABS) Equipped
 Electronic Brakeforce Distribution (EBD) Equipped
 Easy Start system Equipped (Short & Medium)
 Exhaust brake Electric-vacuum actuator with valve in exhaust pipe

PERFORMANCE & GEAR RATIOS

Maximum speed (km/h) 124 (Auto), 112 (Short & Medium)
 Gradeability tan θ % 53.2 (Auto), 50.0 (Short & Medium)

M550

1st4.981	4th1.000
2nd2.911	5th0.738
3rd1.556	Rev.4.625

A860E

1st3.742	5th0.773
2nd2.003	6th0.634
3rd1.343	Rev.3.697
4th1.000		

Final drive ratio: **Auto** 5.375:1
Short and Medium 5.125:1

AXLE LOAD & TYRE LOAD LIMITS

Front axle 2600kg
 Tyres 2180kg (185/85R16 Tyres)
 Rear axle 4400kg
 Tyres 4120kg (185/85R16 Tyres)
 Front axle type Reversed Elliot, "I" section beam
 Rear axle type SH12, full-floating, single reduction, single speed by Hypoid gears

SUSPENSION

Front suspension Semi-elliptic tapered leaf springs with silencers, shock absorbers and stabiliser bar
 Spring dimensions, span & width 1250mm x 70mm
Rear suspension Semi-elliptic main and auxiliary tapered leaf springs with silencers and shock absorbers
 Spring dimensions, span & width 1300mm x 70mm
 Auxiliary springs 1000mm x 70mm

WHEEL & TYRES

Wheel type 5-stud disc wheel
 Wheel & rim size 185/85R16 111/109 & 16x5.5J 113mm
 Number of tyres Seven including spare
 Spare tyre carrier Equipped

ELECTRICAL

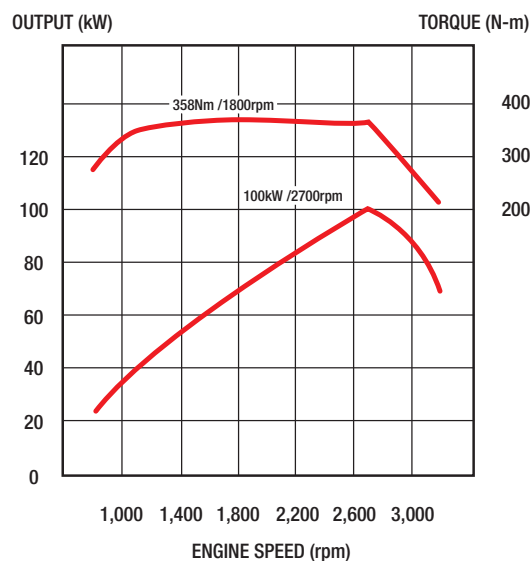
Type 24 volt, negative earth
 Batteries 12V x 2, series connected
 Alternator type Built-in rectifier and voltage regulator
 Capacity 24V – 60-A
 Starter capacity 24V, 4.5kW



614

Cab equipment & Instrumentation

POWER & TORQUE CHART (ISO Net)



CHASSIS FRAME

Type	Ladder-shaped channel section side rails
Chassis width at rear	700mm
Max. section (depth x flange x thickness)	180 x 65 x 6.0mm
Tensile strength	440N/mm ²
Towing hooks.	Equipped at front and rear
Front bumper.	Painted to cabin colour

CAB EXTERIOR

Type	Forward control, all steel welded construction, torsion-bar tilt mechanism, fully trimmed
Windscreen wipers.	Electric, dual wipers, intermittent and 2-speed
Outside rear mirrors	Two, pillar mounted curved
Radiator grille	Painted same colour as cabin
Lamps	Halogen headlamps, cornering lamps

CAB INTERIOR

Steering	Telescopic tilt column with integral power steering
Windscreen glass	Laminated glass
Seating capacity	Three
Driver's seat	2-way adjustable, urethane foam pads, high-back seat
Assistant's seat	Fixed, urethane foam pads, high-back seat
Seat cover	Fabric cover
Seat belts	
Driver's seat	3-point type with ELR and pre-tensioner
Assistant's seat	3-point type with ELR
Centre passenger's seat.	2-point type
Sun visors	For driver and passenger
Ventilator	Forced type by electric blower
Inside rear mirror	One, flat type
Cigarette lighter (24 volt)	Equipped
Audio	AM/FM radio with CD player
Heater and defroster	Equipped
Air conditioner	Equipped
Auto door lock	Equipped
Power windows	Equipped
SRS airbag	Equipped for driver
Seat back console	Equipped (centre)
Overhead consoles.	For driver and assistant
Cup holder.	Equipped

INSTRUMENTS

1. Meter and gauges

- km-kg system
- Speedometer with odometer and 2 trip meters
- Fuel gauge
- Coolant temperature gauge
- Engine tachometer

2. Warning, pilot lamps and buzzers

- Turning signal & hazard indicator lamp
- Exhaust brake indicator lamp
- Engine oil pressure warning lamp
- Battery charge warning lamp
- High beam indicator lamp
- Parking brake indicator lamp
- Engine malfunction indicator lamp
- Fuel level warning lamp
- Fuel filter water accumulating level warning lamp
- Brake fluid level warning lamp
- Back-up warning buzzer
- Cab-tilt warning lamp
- ABS system failure warning lamp
- SRS airbag system failure warning lamp
- Easy Start indicator lamp

3. Switches

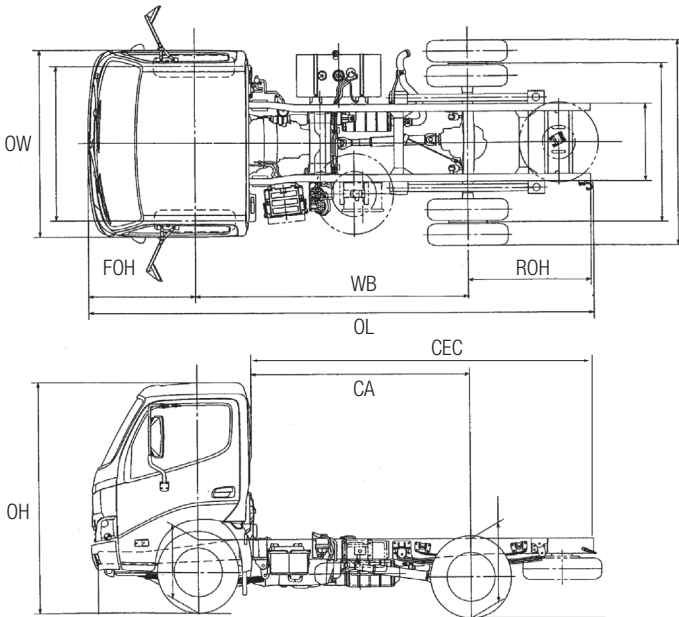
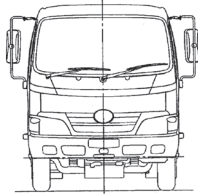
- Lighting switch
- Directional indicator, dimmer, passing switch
- Room lamp switch
- Hazard lamp switch
- Wiper and washer switch
- Exhaust brake switch
- Easy Start switch
- Easy Start release timing adjuster switch

4. Others

- One-key starting-stopping
- Horn button
- Remote keyless entry



614 Dimensions



DIMENSIONS - mm / Capacities

Product code	XZU307R- . . . XZU307R- . . . XZU347R- HKTMBQ3 . . . HKMMBQ3 . . . HKMMBQ3
Model	Auto . . . Short . . . Medium
Wheelbase (WB)	2525 . . . 2525 . . . 3400
Overall length (OL)	4675 . . . 4675 . . . 5995
Overall width (OW)	1850 . . . 1850 . . . 1850
Overall height (OH)	2080 . . . 2080 . . . 2080
Cab to axle centre (CA)	2025 . . . 2025 . . . 2900
Front overhang (FOH)	980 . . . 980 . . . 980
Rear overhang (ROH)	1135 . . . 1135 . . . 1555
Back of Cab to End of Chassis (CEC)	3160 . . . 3160 . . . 4455
Front chassis height	640 . . . 640 . . . 640
Rear chassis height	700 . . . 700 . . . 700
Road clearance	175 . . . 185 . . . 185
Turning circle - m (kerb-to-kerb)	10.4 . . . 10.4 . . . 13.6
Turning circle - m (wall-to-wall)	11.5 . . . 11.5 . . . 14.7
Fuel tank - lt	80 . . . 80 . . . 100
Chassis mass - kg (minimal fuel, without spare tyre or tools)	
Total	2105 . . . 2050 . . . 2105
Front	1425 . . . 1385 . . . 1415
Rear	680 . . . 665 . . . 690
GVM	4500 / 5500
GCM	7300 . . . 7995 / 9000 . . .

WARRANTIES

New vehicle warranty period

Light Duty Model	Axle configuration	Standard warranty <small>(whichever comes first)</small>	Cab corrosion perforation
300 614 Short, Medium & Auto	4 x 2	3 years or 100,00km	36 months

Battery warranty is 12 months from date of delivery.

DISCLAIMER

Important notice. Hino Trucks are distributed in New Zealand by Hino Distributors (NZ) Ltd.

All effort has been made to ensure the information contained in this brochure was correct at time of printing. Hino Distributors (NZ) Ltd reserves the right to alter any details of the specifications & equipment without notice. Hino in so far as it is permitted by law to do so, shall not be liable in any way as a result of any reliance placed by any person on anything contained in this brochure. You should therefore check with your authorised Hino dealer at the time of ordering your motor vehicle to ensure that colour, specifications, equipment, design features & options are available for the vehicle you are ordering. Please note that some options may only be available in combination with others. Authorised Hino dealers will on request provide up to date information on all accessories, design features, prices & availability.