



500

FM 2632 XX Long



6 x 4 Cab Chassis

KEY FEATURES

- 320 Horsepower
- Jacobs Engine Brake
- Cruise Control
- ABS Brakes
- Low Reduction First & Reverse Gear

KEY SPECIFICATIONS

- GVM.** 26,000kg
- GCM.** 38,000kg
- Power** 235kW (320 PS) @ 2100rpm
- Torque.** 1079Nm @ 1100rpm
- Transmission** 11-speed Eaton
- Wheelbase** 6500mm (Air/Spring)





FM 2630 Air

FM1AWKA-UGU XX Long Spring
FM1AWKG-UGU XX Long Air

Engine & Driveline specifications

ENGINE

Model	HINO A09CTK
Max. output (ISO Net)	235kW (320 PS) at 2100rpm
(JIS Gross)	239Kw (325PS)
Max. torque (ISO Net)	1079Nm (110kgf/m) at 1100rpm
(JIS Gross)	1098Nm (112kg/m)
Max. engine speed	2100rpm
Engine compliance	US04 Compliant
Type	Diesel, turbocharged & intercooled, six-cylinder in-line, overhead camshaft & water-cooled
Combustion system	Direct injection with EGR
Bore & stroke	112 x 150mm
Piston displacement	8.866L
Compression ratio	17.0:1
Engine oil capacity	31.0L
Coolant capacity	30.0L
Fuel injection pump	Electronic control common-rail type
Intake system	Stack-type air intake
Air cleaner	Dual paper elements
Air compressor	Single cylinder, water-cooled
Bore & stroke	85 x 60mm
Fan clutch	Equipped
Exhaust	Horizontal outlet

CLUTCH

Model	CS-430 series
Type	Dry single plate with damper springs
Facing material	Cera-metallic
Facing outside diameter	380mm
Control	Hydraulic with air booster

TRANSMISSION & GEAR RATIOS

Model	EATON RTO11909LL
Type	11 forward and two reverse speeds, overdrive, constant mesh
Control	Mechanical control

LL	26.078	6th	1.952
L	16.299	7th	1.379
1st	11.853	8th	1.000
2nd	7.408	9th	0.730
3rd	5.234	Rev LL	20.848
4th	3.794	Rev L	13.030
5th	2.770		

PERFORMANCE

Calculations based on 26.0 ton GVM, 11R22.5-148/145 tyre

Speed limited to (km/h)	.Optional	
	Air	Spring
Max theoretical speed (km/h)	133	
Gradeability tan θ (%) @ GVM	60.0	

BRAKES

Type	Full air, dual circuit, "S" cam type, leading & trailing shoes for front and rear
Drum diameter x lining	
Width	Front: 406.4 x 152mm Rear: 406.4 x 216mm
Air dryer	Equipped
ABS	Equipped
Parking brake	Spring brake, acting on FA & FR axles
Engine brake	Engine compression brake equipped

AXLE SPECIFICATIONS

Front axle	6500kg
Rear axle	20,000kg
Front axle type	MF671 series, Reversed Elliot, I-Beam
Rear axle type	THD17 full-floating single reduction, single-speed hypoid, Tandem Drive
Rear axle gear ratio	4.100:1

SUSPENSION

Front suspension Type (Taperleaf)	Semi-elliptic tapered leaf springs with shock absorbers
Size	1470 span x 80mm width
Rear suspension Type (Air)	Hendrickson HAS air bag suspension with shock absorbers
Rear suspension Type (6 Rod)	Semi-elliptic leaf springs with torque rods
Size	1300 span x 90mm width

WHEELS & TYRES

Wheel type	10-stud disc wheel (ISO type) 335 PCD
Rim size	8.25 x 22.5 – 165-12mm
Tyre size	11R22.5-148/145 (275/70R22.5 option)
Number of tyres	10
Spare tyre carrier	Equipped

FUEL TANK

Capacity	400L
Fuel pre-filter & sedimenter	Equipped



FM 2632 Air

Cab, Instrumentation & Chassis

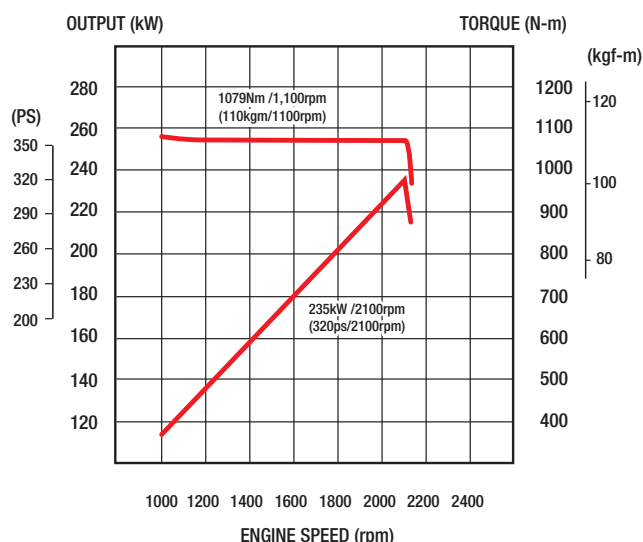
CAB DETAILS

Type	Forward control, all-steel construction with torsion bar tilt mechanism
Seating capacity	Three
Driver's seat	Urethane foam pads, high-back, 4-way adjustable seat with fabric cover & air suspension
Side passenger's seat	Urethane foam pads, high-back & reclining seat with fabric cover & air suspension
Centre passenger's seat	Urethane foam pads & foldaway type with seat back tray, fabric cover
Seat belt	3-point type on driver's & side passenger's seat, 2-point type on centre passenger's seat
Sun visor and overhead console	For driver & passenger sides
Windshield wipers	Electric, dual, intermittent & 2-speed
Ventilator	Forced type by electric blower
Rear view mirrors	Inside: One, flat type Outside: Heated Two flat type, two convex spotters
Cigarette lighter 24V	Equipped
Floor mat	Vinyl type
Front air spoiler	Equipped
Central locking & keyless entry	Equipped
Heater and defroster	Standard
Air conditioner	Standard
Trim	Full trim type (side, roof & back)
Cab pockets	For driver's side
Power windows	Equipped
Rest area	Equipped
Audio	AM/FM radio with CD player
Speakers	Driver & passenger sides
Foot rest	Equipped
Cup holder	Equipped
Cruise Control	Equipped

ELECTRICAL

Type	24V, negative earth
Batteries	12V x 2, series connection. Capacity 120Ah at 20-hour rate
Alternator type	Brushless with built-in rectifier & voltage regulator. Capacity 24V, 60A
Starter type	24V, 6.0kW
Headlamps	Semi-sealed beam, halogen type 2-head lamps
High/low beam	Equipped
Electric horn	Equipped

POWER & TORQUE CHART (ISO Net) A09CTK



INSTRUMENTS

- Meters & gauges**
 - Speedometer with trip meter
 - Odometer
 - Tachometer
 - Fuel gauge
 - Coolant temperature gauge
 - Air pressure gauge
- Switches**
 - One-key starting-stopping
 - Lighting
 - Directional indicator, dimmer & passing
 - Wiper & washer
 - Hazard lamp
 - Exhaust brake
 - Map lamp
 - Fog lamp
 - Cruise Control
 - Engine brake
- Warning, pilot lamps & buzzers**
 - Oil pressure warning lamp & buzzer
 - Air pressure warning lamp & buzzer
 - Engine over-run warning buzzer
 - Coolant level warning lamp & buzzer
 - High beam indicator lamp
 - Turn signal indicator lamp
 - Parking brake indicator lamp
 - Seat belt warning lamp & buzzer
 - Engine brake indicator lamp
 - Engine control system warning lamp
 - Hazard indicator lamp
 - Back-up warning buzzer
- Others**
 - Idle up control knob
 - Horn button

STEERING

Type	Telescopic and tilt steering column with locking device. Recirculating ball with Integral Power Steering
Gear ratio	20.2:1

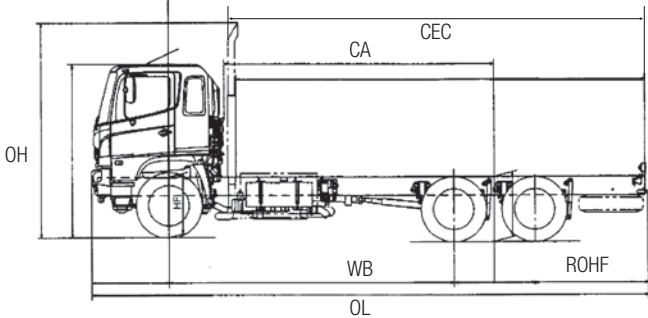
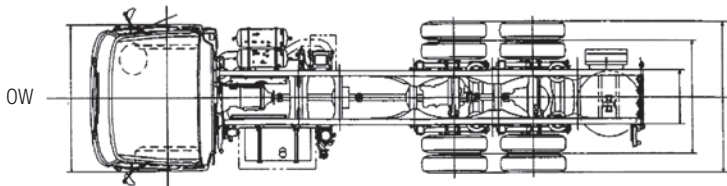
CHASSIS FRAME

Type	Ladder-shaped channel-section side rails
Rear chassis width	870mm
Max. section (depth x flange x thickness)	Main: 300 x 90 x 8.0mm Inner: 284 x 77 x 3.2mm
Tensile strength	540N/mm ² {55 kgf/mm ² }
Hooks	Equipped for front and rear



500

FM 2632 Air Dimensions



DIMENSIONS - mm / Capacities

Model Hino FM 2632 XX Long	Spring	Air
Production code	FM1AWKA	FM1AWKG
Wheelbase (WB)	6500	6500
Overall length (OL)	11,085	11,085
Overall width (OW)	2470	2450
Overall height (OH)	2840	2840
Cab to rear axle centre (CA)	5615	5615
Rear overhang (at frame end) (ROHF)	2635	2635
Back of Cab to End of Chassis (CEC)	8900	8900
Front chassis height (HF)	1025	1025
Rear chassis height (HR)	1050	1055
Road clearance (at diff. case) (RC)	245	245
Front track (FT)	1925	1925
Rear track (RT)	18600	1890
Turning circle kerb to kerb	24,600	24,600
Turning circle wall to wall	26,050	26,050
Chassis mass – kg (50 litres of fuel & tools without spare tyre)		
Total	7590	7620
Front	3580	3600
Rear	3810	3820
GVM	26,000	26,000
GCM	40,000	40,000

WARRANTY

New vehicle warranty period - Refer to Hino Truck Warranty for detailed information.

Medium Duty Model	FM 2632 Air
Cab & Chassis Components	* 24 months or 150,000km
Engine & Powerlines	* 36 months or 200,000km

* whichever occurs first.

 **HINO**
driven to perfection

www.hino.co.nz

DISCLAIMER

Important notice. Hino Trucks are distributed in New Zealand by Hino Distributors (NZ) Ltd.

All effort has been made to ensure the information contained in this brochure was correct at time of printing. Hino Distributors (NZ) Ltd reserves the right to alter any details of the specifications & equipment without notice. Hino in so far as it is permitted by law to do so, shall not be liable in any way as a result of any reliance placed by any person on anything contained in this brochure. You should therefore check with your authorised Hino dealer at the time of ordering your motor vehicle to ensure that colour, specifications, equipment, design features & options are available for the vehicle you are ordering. Please note that some options may only be available in combination with others. Authorised Hino dealers will on request provide up to date information on all accessories, design features, prices & availability.