



500

FD 1024



4 x 2 Cab Chassis

KEY FEATURES

- ABS Brakes
- Easy Start – Take-off Assist

KEY SPECIFICATIONS

- GVM.** 10,400kg
- GCM.** 16,000kg
- Power** 171.5kW (235 PS) @ 2500rpm
- Torque.** 686Nm @ 1500rpm
- Transmission** Six-speed synchromesh
- Wheelbase** 4850mm





FD 1024

FD8JLKA-HAN Spring

FD8JLKG-HAN Air

Engine & Driveline specifications

ENGINE

Model	HINO J08E TE
Max. output (ISO NET)	168kW (228 PS) at 2500rpm
(JIS GROSS)	171.5kW (235 PS) at 2500rpm
Max. torque (ISO NET)	686Nm (70kg/m) at 1500rpm
(JIS GROSS)	686Nm (70kg/m) at 1500rpm
Max. engine speed	2550rpm
Engine compliance	US04 Compliant
Type	Diesel, turbocharged & intercooled, six-cylinder in-line, overhead camshaft & water-cooled
Combustion system	Direct injection with EGR
Bore & stroke	112 x 130mm
Piston displacement	7.684L
Compression ratio	18.5:1
Engine oil capacity	13.5L
Coolant capacity	21.0L
Fuel injection pump	Electronic control common rail type
Air cleaner	Dual paper elements
Air compressor type	Single cylinder, water-cooled
	Bore & stroke 70 x 40mm
Fan clutch	Equipped
Exhaust	Horizontal outlet

CLUTCH

Model	CS-350 series
Clutch disc assembly	Dry single plate with damper springs
Facing material	Semi Mold
Facing outside diameter	350mm
Control	Hydraulic with air booster

TRANSMISSION & GEAR RATIOS

Model	LJ06S
Type	Six-forward & one reverse speeds, overdrive, synchromesh on 2nd to 6th
Control	Mechanical with power shift

1st	.6.893	5th	.1.000
2nd	.4.274	6th	.0.770
3rd	.2.607	Rev.	.6.453
4th	.1.564		

PERFORMANCE

Calculations based on 10.4 ton GVM, 235/75 17.5 tyre

Max theoretical speed (km/h)	112 (Spring)	104 (Air)
Gradeability tan θ (%) @ GVM	53.6 (Spring)	58.6 (Air)
Speed Limited	Optional	

BRAKES

Type	Hydraulic system with two leading shoes for front and rear acting on all wheels with Auto-adjuster
Control	Air over hydraulic, dual circuits
Drum diameter x lining	
Width	Front: 320 x 110mm Rear: 320 x 145mm
Air dryer	Equipped
ABS	Equipped
Brake auto-shoe adjuster	Equipped
Parking brake	Spring brake, acting on rear wheel
Exhaust brake	Electric-pneumatic with valve in exhaust pipe

AXLE SPECIFICATIONS

Front axle	3600kg
Rear axle	7000kg
Front axle type	LF366 series I-Beam, Reversed Elliot
Rear axle type	SH13 full-floating, single reduction, single-speed hypoid
Rear axle gear ratio	Spring (FD8JLKA) 4.333:1 Air (FD8JLKG) 4.625:1

SUSPENSION

Front suspension Type	Semi-elliptic tapered leaf springs with shock absorbers
Size	1300 span x 70mm width
Rear suspension - Spring	Semi-elliptic main & auxiliary leaf springs
Main spring	1300 span x 70mm width
Auxiliary springs	900 span x 70mm width
Rear suspension - Air	Hendrickson HAS airbag suspension with shock absorbers

WHEELS & TYRES

Wheel type	Six-stud disc wheel (JIS type) PCD 222.25
Rim size	6.75 x 17.5 – offset 135mm
Tyre size	235/75 x 17.5 130/128
Number of tyres	Seven (including one spare)
Spare tyre carrier	Equipped

FUEL TANK

Capacity	200L
Fuel pre-filter & sedimentor	Equipped
Fuel tank cap key	Equipped



FD 1024

Cab, Instrumentation & Chassis

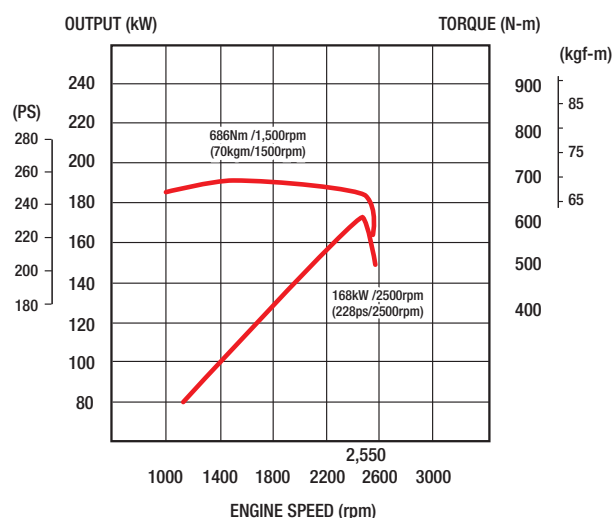
CAB DETAILS

Type	Forward control, all steel construction with torsion bar tilt mechanism
Seating capacity	Three
Driver's seat	Urethane foam pads, high-back, 4-way adjustable seat with fabric cover and air suspension
Side passenger's seat	Urethane foam pads, high-back and reclining seat with fabric cover and under-tray
Centre passenger's seat	Urethane foam pads & foldaway type with seat back tray, fabric cover
Seat belt	3-point type on driver's and side passenger's seat, 2-point type on centre passenger's seat
Sun visor and over-head console	For driver & passenger sides
Windshield wipers	Electric, dual, intermittent and 2-speed
Ventilator	Forced type by electric blower
Rear view mirrors	Inside: One, flat type Out side: Heated, Two flat type, two convex spotters
Cigarette lighter (24V)	Equipped
Floor mat	Vinyl type
Front air spoiler	Equipped
Central locking	Equipped
Heater and defroster	Standard
Air conditioner	Equipped
Trim	Full trim type (side, roof and back)
Cab pockets	Door & A Seat
Power windows	Equipped
Rest area	Equipped
Car audio	AM/FM radio with CD player
Speakers	Driver and passenger sides
Foot rest	Equipped
Easy Start	Equipped
Cup holder	Equipped

ELECTRICAL

Type	24V, negative earth
Batteries	2 x 12V, series-connection. Capacity 120Ah at 20-hour rate
Alternator type	With built-in rectifier & voltage regulator
Capacity	24V, 60A
Starter type	24V, 4.5W
Headlamps	Semi-sealed beam, halogen type 2-head lamps
High/low beam	Equipped
Fluorescent reading lamp	Equipped
Electric horn	Equipped

POWER & TORQUE CHART (ISO Net)



INSTRUMENTS

- Meters & gauges**
 - Speedometer with trip meter
 - Odometer
 - Tachometer
 - Fuel gauge
 - Coolant temperature gauge
 - Air pressure gauge
- Switches**
 - One-key starting-stopping
 - Lighting
 - Directional indicator, dimmer and passing
 - Wiper and washer
 - Hazard lamp
 - Exhaust brake
 - Map lamp
 - Fog lamp
 - Easy Start
- Warning, pilot lamps & buzzers**
 - Oil pressure warning lamp & buzzer
 - Air pressure warning lamp & buzzer
 - Engine over-run warning buzzer
 - Coolant level warning lamp & buzzer
 - Brake fluid level warning lamp & buzzer
 - Brake adjustment warning lamp & buzzer
 - High beam indicator lamp
 - Turn signal indicator lamp
 - Parking brake indicator lamp
 - Seat belt warning lamp & buzzer
 - Exhaust brake indicator lamp
 - Engine control system warning lamp
 - Hazard indicator lamp
 - Back-up warning buzzer
- Others**
 - Idle up control knob
 - Horn button
 - 12V electric source (harness type)

STEERING

Type	Telescopic and tilt steering column with locking device. Recirculating ball with Integral Power Steering
Gear ratio	18.6:1

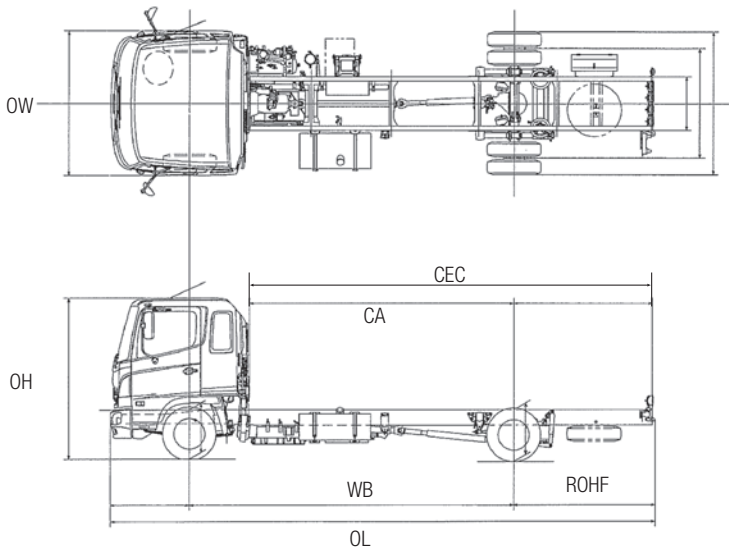
CHASSIS FRAME

Type	Ladder-shaped channel section side rails
Rear chassis width	820mm
Max. section (depth x flange x thickness)	231.6 x 73 x 6.8mm
Tensile strength	540N/mm ² [55 kgf/mm ²]
Hooks	Equipped for front and rear



500

FD 1024 Dimensions



DIMENSIONS - mm / Capacities

Model Hino FD 1024	Air	Spring	Crew
Production code	FD8JLKG	FD8JLKA	FD8JLKA
Wheelbase (WB)	4850	4850	4850
Overall length (OL)	8180	8180	8180
Overall width (OW)	2175	2175	2175
Overall height (OH)	2455	2455	2455
Cab to rear axle centre (CA)	3975	3975	3250
Rear overhang (at frame end) (ROHF)	2060	2060	2060
Back of Cab to End of Chassis (CEC)	6035	6035	5310
Front chassis height (HF)	780	780	780
Rear chassis height (HR)	880	880	880
Road clearance (at diff. case) (RC)	220	220	220
Front track (FT)	1770	1770	1770
Rear track (RT)	1660	1660	1660
Turning circle kerb to kerb	15,000	15,000	15,000
Turning circle wall to wall	16,400	16,400	16,400
Chassis mass – kg (with 50 litres of fuel, all seats occupied, standard tools)			
Total	3355	3355	3625
Front	2205	2205	2405
Rear	1150	1150	1220
GVM	10,400	10,400	10,400
GCM	16,000	16,000	16,000

WARRANTY

New vehicle warranty period - Refer to Hino Truck Warranty for detailed information.

Medium Duty Model	500 FD 1024
Cab & Chassis Components	* 24 months or 100,000km
Engine & Powerlines	* 36 months or 150,000km

* whichever occurs first.



www.hino.co.nz

DISCLAIMER

Important notice. Hino Trucks are distributed in New Zealand by Hino Distributors (NZ) Ltd.

All effort has been made to ensure the information contained in this brochure was correct at time of printing. Hino Distributors (NZ) Ltd reserves the right to alter any details of the specifications & equipment without notice. Hino in so far as it is permitted by law to do so, shall not be liable in any way as a result of any reliance placed by any person on anything contained in this brochure. You should therefore check with your authorised Hino dealer at the time of ordering your motor vehicle to ensure that colour, specifications, equipment, design features & options are available for the vehicle you are ordering. Please note that some options may only be available in combination with others. Authorised Hino dealers will on request provide up to date information on all accessories, design features, prices & availability.