



300

615 IFS



KEY FEATURES

- Standard Cabin
- Dual SRS Airbags
- Easy Start – Take Off Assist (manual transmission only)
- Disc Brakes
 - Front & Rear
 - ABS, VSC & TRC – all STD
- Energy Absorbing Steering Wheel
- Emission Standard Euro 5

KEY SPECIFICATIONS

- GVM**5500kg
- GCM**9000kg, Auto 7300kg
- Engine** . . . 4.0-litre, Common Rail, Direct Injection
Turbocharged and Intercooled
- Power**110kW (150Hp) @ 2500 RPM (ISO)
- Torque**420Nm @ 1400 RPM (ISO)
- Wheelbases**Short & Auto 2525mm
Medium 3400mm





615 IFS

XZU605R-HKTMSQ3 615 Auto
 XZU605R- HKMMSQ3 615 Short
 XZU655R-HKMMSQ3 615 Medium

Engine, Driveline & Chassis specifications

ENGINE

Engine Hino N04C US
 Max output (ISO Net) 110kW (150Hp) at 2500 RPM
 Max torque (ISO Net) 420Nm at 1400 RPM
 Maximum engine speed 3100RPM
 Type Diesel, four cycle, four-cylinder in line, overhead valve, water cooled
 Combustion system Direct injection type
 Bore & stroke 104 x 118mm
 Piston displacement 4.009 litres
 Fuel injection system Electronic control, common rail type
 Air intake system Turbo inter-cooled, stack-type air intake
 Air cleaner Paper element
 Fan clutch Equipped
 Exhaust system Catalytic Converter with Diesel Particulate Active Reduction System (DPR)
 Exhaust outlet Horizontal
 Emission control system EGR & DPR meeting Euro 5 emission levels

TRANSMISSION

Short & Medium M550
 Type Five-speed overdrive manual
 Clutch type Dry single plate, diaphragm type with damper springs
 Facing outside diameter 325mm
 Facing lining area 483 x 2cm²
 Control Hydraulic with vacuum booster
 Auto A860E
 Type Six-speed electronically controlled overdrive automatic with torque converter lock-up on 2nd, 3rd, 4th, 5th and 6th gears
 Hill descent control Equipped (L3)

BRAKES

Service brakes Hydraulic system with ventilated disc brakes front and rear
 Control Vacuum servo with hydraulic assist & dual circuits
 Front disc diameter 296mm
 Rear disc diameter 281mm
 Anti-lock system (ABS) Equipped
 Vehicle Stability Control Equipped
 Traction Control Equipped
 Easy Start System Equipped
 Exhaust brake Electric-vacuum actuator with valve in exhaust pipe
 Park brake Rear of transmission

PERFORMANCE & GEAR RATIOS

	Short & Medium	Auto
Engine RPM @ 100km/h	2600	2250
Maximum speed (km/h)	120	139
Gradeability tan θ % @ GVM	52.7	60.0
Final drive ratio	4.625:1	4.625:1

M550

1st	4.981	4th	1.000
2nd.	2.911	5th	0.738
3rd	1.556	Rev.	4.625

A860E

1st	3.743	5th	0.773
2nd.	2.003	6th	0.634
3rd	1.343	Rev.	3.697
4th	1.000		

AXLE LOAD & TYRE LOAD LIMITS

Front Axle 2600kg
 Tyres 2180kg
 Rear axle 4400kg
 Tyres 4120kg
 Front axle type Independent coil
 Rear axle type SH12 full-floating, single reduction, single speed by Hypoid gears

SUSPENSION

Front Suspension

Independent Double wishbone independent with coil springs, shock absorbers & stabiliser

Rear Suspension

Leaf Semi-elliptic main and auxiliary tapered Leaf springs with silencers and shock absorbers
 Spring dimensions, span & width 1310mm x 70mm
 Auxiliary springs 900mm x 70mm

WHEEL & TYRES

Wheel type 5-stud disc wheel
 Front wheel & rim size 185/85R16 111/109 & 16x5.5K-113mm
 Number of tyres Seven including spare
 Spare tyre carrier Equipped

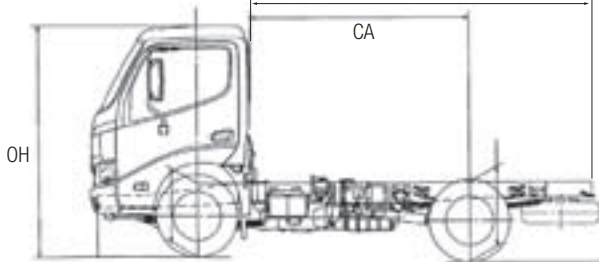
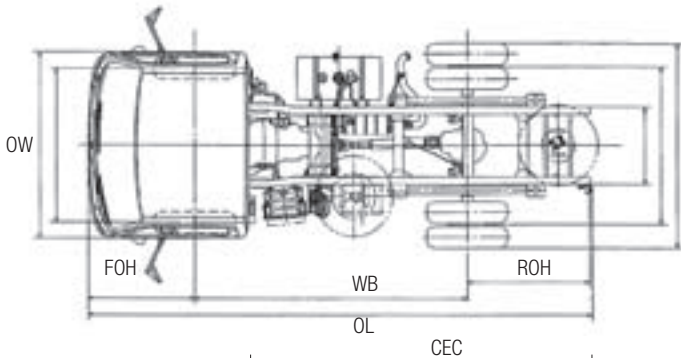
ELECTRICAL

Type 24 volt, negative earth
 Batteries 12V x 2, series connected
 Alternator type Built-in rectifier and voltage regulator
 Capacity 24V – 80 Amp
 Starter Capacity 24V, 4.5kW



300

615 IFS Dimensions



DIMENSIONS - mm / Capacities

Model	Auto	Short	Medium
Product Code	XZU605R- HKTMSQ3	XZU605R- HKMMSQ3	XZU655R- HKMMSQ3
Wheelbase (WB)	2525	2585	3400
Overall tyre width (OT)	1845	1845	1845
Overall length (OL)	4710	4710	5965
Overall width (OW)	1695	1695	1695
Overall height (OH)	2095	2095	2095
Front track	1400	1400	1400
Rear track	1435	1435	1435
Cab to axle centre (CA)	2025	2025	2900
Front overhang (FOH)	980	980	980
Rear overhang (ROH)	1135	1355	1555
Front chassis height	655	655	655
Rear chassis height	695	695	695
Road clearance	170	170	170
Turning circle – m (kerb-to-kerb)	9.6	9.6	12.4
Turning circle – m (wall-to-wall)	11.0	11.0	13.8
Fuel tank – lt	80	80	100
Indicative chassis mass – kg (standard tools, 10 litres of fuel, without spare tyre)			
Total	2015	1970	2025
Front	1395	1365	1410
Rear	620	605	615
GVM Rating	5500	5500	5500
GCM Rating	7300	9000	9000

WARRANTIES

New vehicle warranty period

Light Duty Model	Axle Configuration	Standard Warranty	Cab corrosion perforation
615 Short, Medium & Auto	4 x 2	3 years or 100,000km	36 months

For detailed warranty conditions, please refer to Hino Truck Warranty brochure.

DISCLAIMER

Important notice. Hino Trucks are distributed in New Zealand by Hino Distributors (NZ) Ltd.

All effort has been made to ensure the information contained in this brochure was correct at time of printing. Hino Distributors (NZ) Ltd reserves the right to alter any details of the specifications & equipment without notice. Hino in so far as it is permitted by law to do so, shall not be liable in any way as a result of any reliance placed by any person on anything contained in this brochure. You should therefore check with your authorised Hino dealer at the time of ordering your motor vehicle to ensure that colour, specifications, equipment, design features & options are available for the vehicle you are ordering. Please note that some options may only be available in combination with others. Authorised Hino dealers will on request provide up to date information on all accessories, design features, prices & availability.