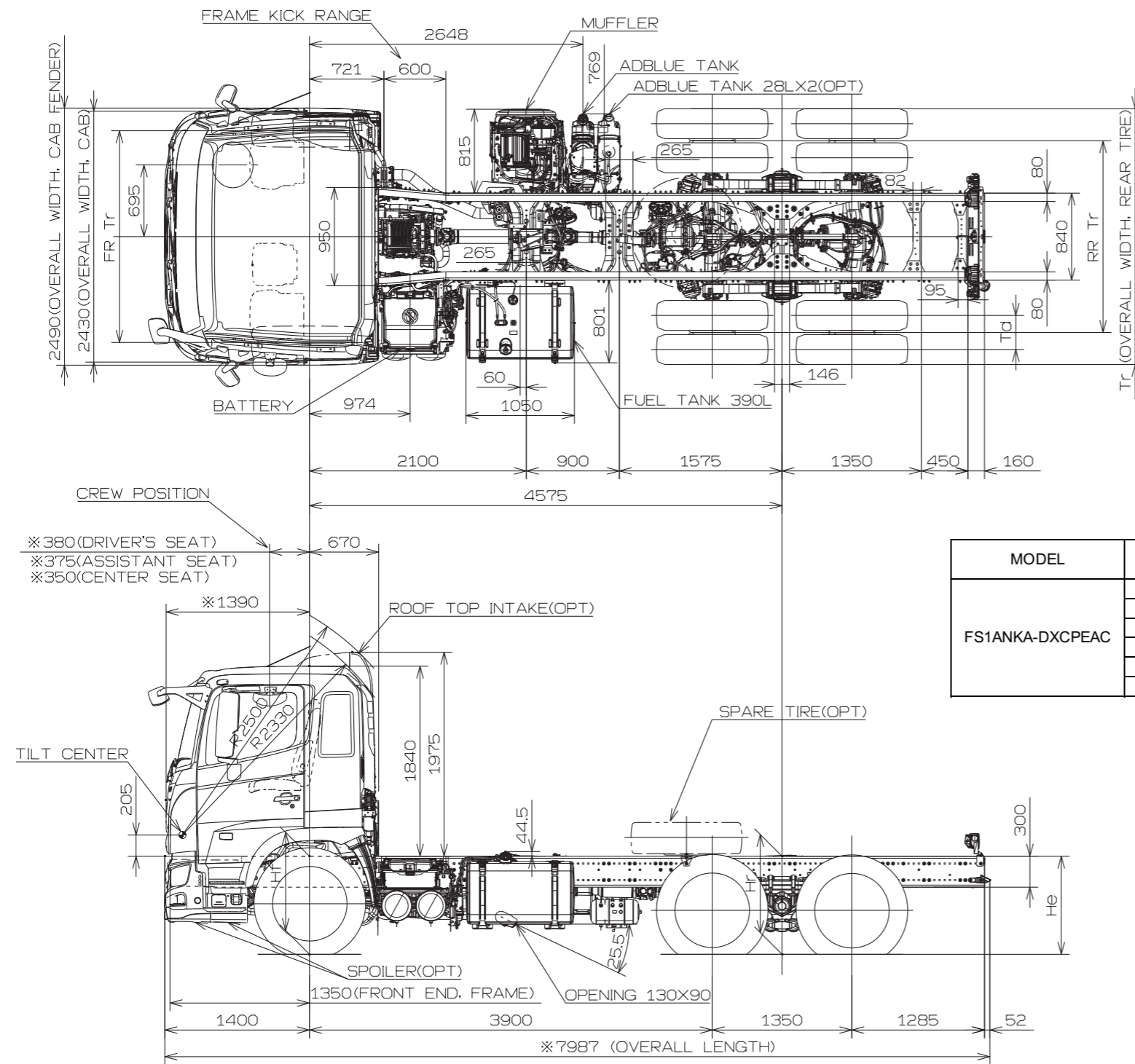


No. CH-5

Unit : mm

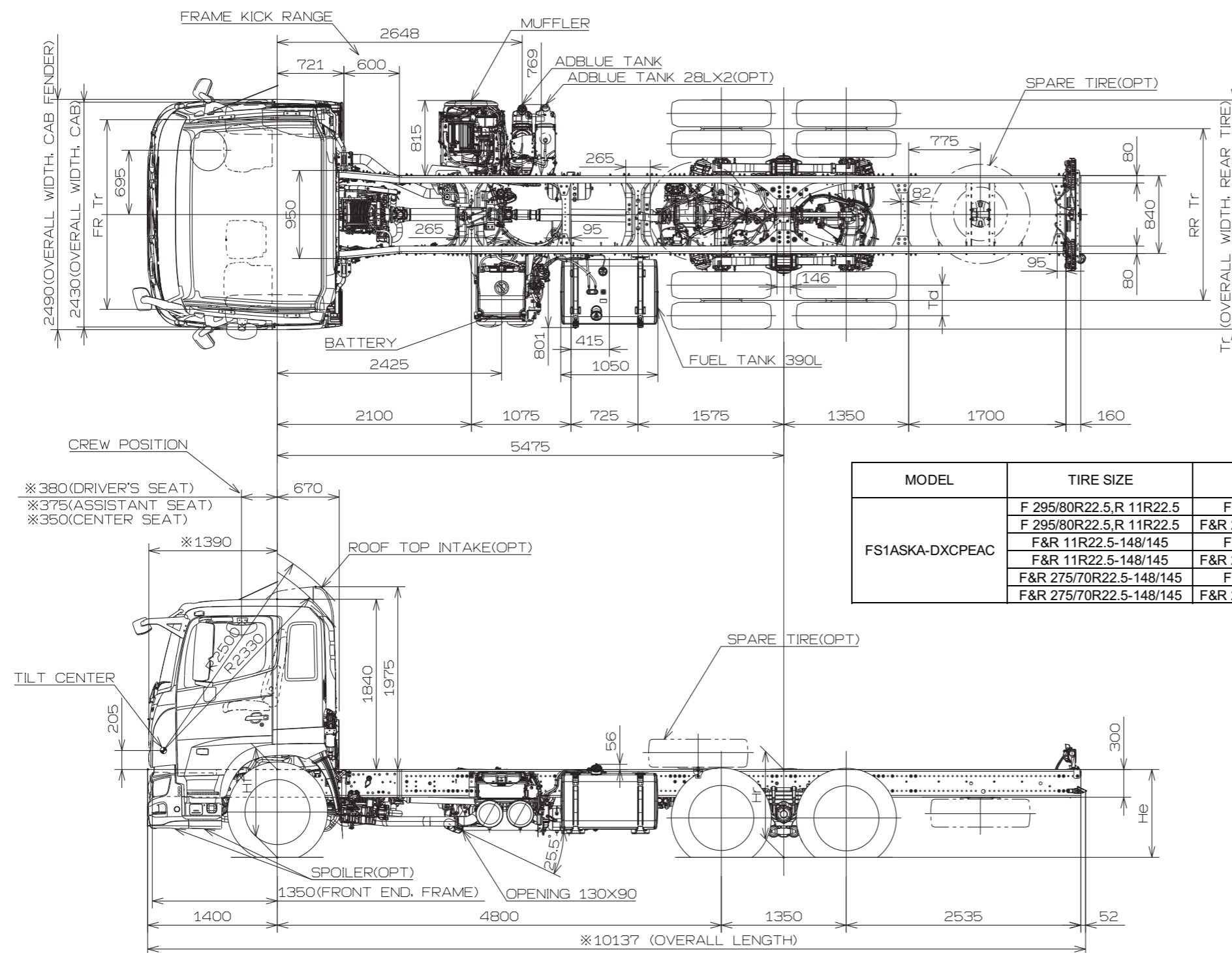


MODEL	TIRE SIZE	DISC SIZE	DIMENSIONS(mm)								
			Hf	Hr	He	A	B	FR Tr	RR Tr	Td	Tr
FS1ANKA-DXCPEAC	F 295/80R22.5,R 11R22.5	F&R 22.5X8.25	1019	1063	1082.6	268	243	2050	1855	330	2466
	F 295/80R22.5,R 11R22.5	F&R 22.5X8.25 ALLOY	1019	1063	1082.6	268	243	2070	1875	330	2482
	F&R 11R22.5-148/145	F&R 22.5X8.25	1023	1063	1082.6	272	243	2050	1855	330	2466
	F&R 11R22.5-148/145	F&R 22.5X8.25 ALLOY	1023	1063	1082.6	272	243	2070	1875	330	2482
	F&R 275/70R22.5-148/145	F&R 22.5X8.25	976	1017	1128.6	225	197	2050	1855	330	2463
	F&R 275/70R22.5-148/145	F&R 22.5X8.25 ALLOY	976	1017	1128.6	225	197	2070	1875	330	2479

NOTE:1.Figures marked"*"dimensions are measured in parallel with the surface of the ground.
 2.The dimension of tire to be mentioned in above table shows design figure according to JATMA or ETRTO standard.

No. CH-6

Unit : mm



MODEL	TIRE SIZE	DISC SIZE	DIMENSIONS(mm)								
			Hf	Hr	He	A	B	FR Tr	RR Tr	Td	Tr
FS1ASKA-DXCPEAC	F 295/80R22.5,R 11R22.5	F&R 22.5X8.25	1021	1062	1086.9	269	242	2050	1855	330	2466
	F 295/80R22.5,R 11R22.5	F&R 22.5X8.25 ALLOY	1021	1062	1086.9	269	242	2070	1875	330	2482
	F&R 11R22.5-148/145	F&R 22.5X8.25	1025	1062	1086.9	273	242	2050	1855	330	2466
	F&R 11R22.5-148/145	F&R 22.5X8.25 ALLOY	1025	1062	1086.9	273	242	2070	1875	330	2482
	F&R 275/70R22.5-148/145	F&R 22.5X8.25	978	1016	1132.9	226	196	2050	1855	330	2463
	F&R 275/70R22.5-148/145	F&R 22.5X8.25 ALLOY	978	1016	1132.9	226	196	2070	1875	330	2479

NOTE:1.Figures marked"*"dimensions are measured in parallel with the surface of the ground.
 2.The dimension of tire to be mentioned in above table shows design figure according to JATMA or ETRTO standard.