



* Illustration may contain items not standard to the model

Euro 5
4 x 2 Cab Chassis

KEY FEATURES

- Vehicle Stability Control (VSC) with ASR##
- Polished Aluminium Wheels
- Cruise Control
- Drivers SRS Airbag
- Heated & Electrically Operated External Mirrors
- ISRI 6860/870 Drivers seat with integrated Safety Belt
- ECE R-29 Cab Strength Certified
- HAS 230 Air Rear Suspension with ECAS
- Differential Cross Lock

KEY SPECIFICATIONS

GVM	18,000kg
GCM	38,000kg
Power	280hp/206kW
Torque.....	883Nm
Transmissions.....	Six-speed Allison Automatic
Nominal Wheelbases.....	5.1m
Max. Nominal Body Length#	7.7m

VSC & ACR will not be available for all application types including but not limited to trailer and 8 x 4.





GH 1828

Engine & Driveline Specifications

ENGINE

Model	J08E-WA
Max. Output (ISO Net)	280hp/206kW @ 2,500 RPM
Max. Torque (ISO Net)	883Nm @ 1,500 RPM
Max. Engine Speed	2,700 RPM
Engine Compliance	ADR 80/03 using Euro 5 STD
Type	Turbocharged & Intercooled, 6 cylinder in-line, overhead camshaft & fluid cooled
Combustion System	Direct Injection
Bore & Stroke	112 x 130mm
Piston Displacement	7.687L
Compression Ratio	18.0:1
Engine Oil Capacity	13.5L
Coolant Fluid Capacity	25L
Fuel Injection System	Electronic control common-rail type
Air Intake System	Stack-type
Air Cleaner	Dual paper elements
Air Compressor	Single cylinder, fluid cooled 85 x 40mm
Fan Clutch	Equipped
Exhaust	Horizontal
Emission Control System	Selective Catalytic Reduction (SCR)
Engine Immobilizer	Equipped

TRANSMISSION & GEAR RATIOS

Make & Description	Automatic	
	Allison 3000 series 6 speed with Electronic Control	
Type	Double Overdrive	
Gear Ratios	1	3.487
	2	1.864
	3	1.409
	4	1.000
	5	0.750
	6	0.653
	Rev	5.027
Torque convertor & Ratio	TC 415	2.35

PERFORMANCE

Calculations based on 18.0 t GVM with 11R22.5 drive tyres	
Transmission	Automatic
Wheelbase variants	ALL
Rear Axle Ratio	6.428
Engine RPM @ 100 km/h	2,200
Max theoretical speed (km/h)	122
Gradeability tan θ (%) @ GVM	53.5
Speed limited to (km/h)	100

BRAKES

Type	Full Air, dual circuit, "S"cam
Drum & Lining sizes	Front : 410 x 150mm
Diameter x Width	Rear : 410 x 220mm
Auto adjusters	Equipped
Vehicle Stability Control (VSC)	Equipped ##
Anti-lock Braking System (ABS)	Equipped
Anti-Slip Regulator (ASR)	Equipped ##
Air Dryer	Equipped
Park Brake	Spring Brake acting on rear wheels
Exhaust Brake	Equipped

AXLE, SUSPENSION & LOAD LIMITS

FRONT	Front Axle Model	MF 78IR
	Type	I-Beam, Reverse Elliot
	Suspension	Taper leaf springs with shock absorbers & stabiliser
	Spring Dimensions Length x Width x Thickness x Number	1,700 x 90 x 28.8 x 1 1,700 x 90 x 30.3 x 1
	Spring Rate	32.8 kgf/mm
REAR	Axle Limit (including suspension)	7,500 kg
	Rear Axle Model	SH17
	Differential Cross Lock	Equipped
	Type	Fully floating, single reduction, hypoid
	Suspension	Air bag
	Make	Hendrickson
	Model	HAS 230
Height Control	Electronic Control Air Suspension (ECAS)	
Axle Limit (including suspension)	11,500 kg	

WHEELS & TYRES

Material	Polished Aluminium	
Wheel type	10-stud disc (ISO) 335 PCD	
Rim size (in)	8.25 x 22.5	Option: 11.75 x 22.5
Tyre size**	Front: 275/70R 22.5	FR Option: 11R22.5 385/55x22.5 385/65R 22.5 355/50R 22.5
	Rear: 275/70R 22.5	RR Option: 11R22.5
Number of tyres	7	
Spare Tyre Carrier	Equipped	

FUEL TANK

Wheelbases	ML
Material	Steel
Capacity	200L
Lockable cap	Equipped
Pre Filter & sedimenter	Equipped
AdBlue® tank capacity	59L

STEERING

Type	Telescopic & tilt steering column with locking device. Recirculating ball with internal Power Steering
Steering Angles	Inner 49°
	Outer 34°

VSC & ACR will not be available for all application types including but not limited to trailer and 8 x 4.

** Optional tyre sizes require approval.



GH 1828

Cab, Instrumentation & Chassis

CAB DETAILS

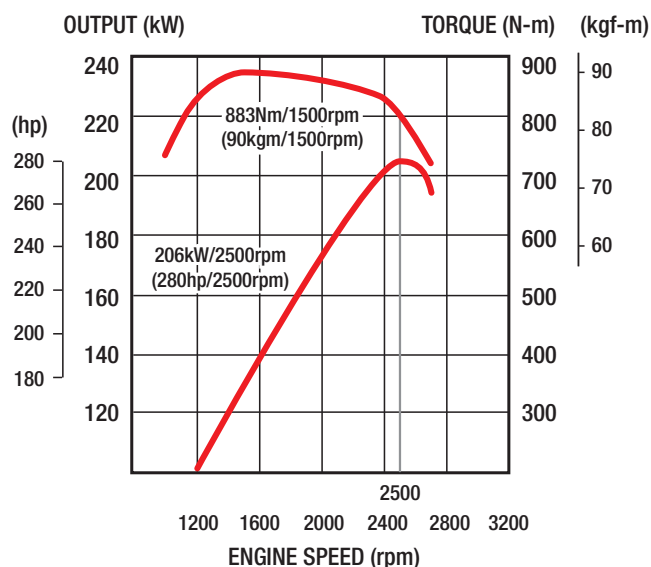
Type	Forward control, all-steel construction mounted on full floating coil spring suspension with electro hydraulic tilt mechanism
ECE R-29 Cab strength	Compliant
Drivers SRS Airbag	Equipped
Seating capacity	Three
Driver's seat	ISRI 6860/870 with urethane foam pads, high-back, lumbar support, multi adjustable, air suspended, with integrated safety belt
Side passenger's seat	Urethane foam pads, high-back & reclining seat with fabric cover, air suspension
Centre passenger's seat	Urethane foam pads & foldaway type with seat back tray, fabric cover
Seat belt	3-point type on driver's & side passenger's seat 2-point type on centre passenger seat
Sun visor and overhead console	For driver & passenger sides
Windshield wipers	Electric, dual, intermittent & 2-speed
Ventilator	Forced type by electric blower
Rear view mirrors	External: Electric Control & heated flat type, Convex spotters both sides and Left side kerb view
12V/120w Socket	Equipped
Floor mat	Vinyl type
Central locking & keyless entry	Equipped
Heater and defroster	Standard
Air conditioner	Standard
Trim	Full trim type (side, roof & back)
Cab pockets	Equipped on both door sides
Power windows	Equipped
Rest area	Equipped
Audio/visual display	DAB+ AM/FM radio with CD & DVD player, Bluetooth and Reverse Camera Display
Speakers	Driver & passenger
Foot rest	Equipped
Cup holders	Equipped
Cruise control	Equipped

ELECTRICAL

Type	24V, negative earth
Batteries	12V x 2, series connection, 120 Ah
Alternator Type	Brushless, with built-in regulator
Capacity	24V, 90 Amp
Starter Type	24V, 5.0 kW
Headlamps	Halogen type with manual levelling
High/low beam	Equipped
LED Fog Lamps (white)	Equipped
Fluorescent Reading Lamp	Equipped
Electric air horn	Equipped

Power & Torque chart (ISO Net) J08E-WA

J08E-WA



INSTRUMENTS

Meters	Additional Switches & Controls
Speedometer	External flat mirror Control
Tachometer	Idle up Control
LCD Gauges	Quick warm up switch
Air pressure (2)	VSC/ASR off switch
Fuel	Headlight Levelling
AdBlue®	Fog Lamp
Engine Temperature	ECAS remote
Odometer plus trip meter	Differential Cross Lock
Multi Information Display (MID)	
Fuel Consumption	
Service reminders	
Warnings	
Faults	

CHASSIS FRAME

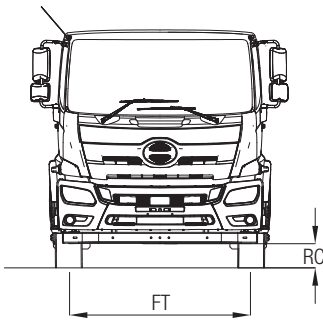
Wheelbase variants	Medium Long
Type	Ladder-shaped channel section side rails with Grid hole design
Chassis outer width (at rear)	840mm
Main section (mm)	
Depth x flange x Thickness)	275 x 80 x 7.0
Tensile strength	620 N/mm ² (63 kgf/mm ²)
Front and rear tow hook	Equipped



GH 1828



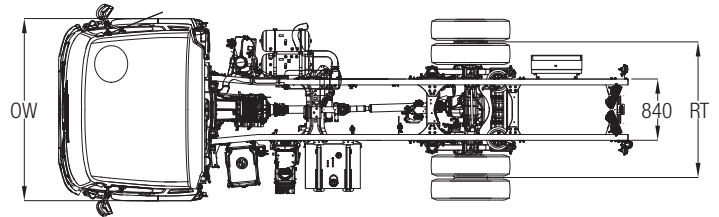
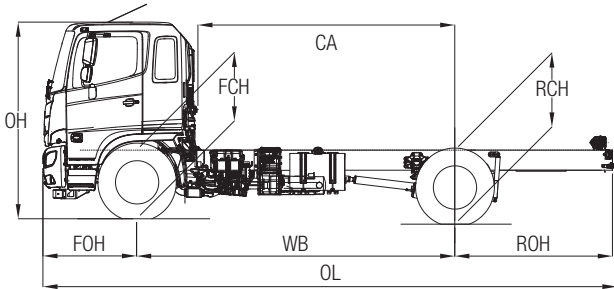
Dimensions



DIMENSIONS – mm/capacities

Model	GH 1828
Wheelbase variant	Medium Long
Transmission	Auto
Suspension	Air
Model Code	GH8JM1G-WHU
Wheelbase (WB)	5100
Max Nominal Body length (WB x 0.7 (up to 4.0m) + CA-80)	7,760
Overall Length (OL)	8,695
Overall Width (OW)	2,490
Overall Height (OH)	2,755
Cab to Rear Axle Centre (CA)	4,270
Front Overhang (FOH)	1,280
Rear Overhang (ROH)	2,255
Front Chassis Height (FCH)	1,005
Rear Chassis Height (RCH)	1,030
Road Clearance (RC)	250
Front Track (FT)	2,050
Rear Track (RT)	1,835
Turning Circle Kerb to Kerb	17,400
Wall to Wall	19,000
Indicative Chassis Mass – kg (10 litres of fuel & spare tyre and subject to ± 3% Tolerance)	
Total	5,433
Front	3,520
Rear	1,923
GVM	18,000kg
GCM	38,000kg

#Dimensions for vehicle fitted with 11R tyres



WARRANTY

New vehicle warranty period

Medium Duty Model	Axle configuration	Standard warranty (whichever comes first)	Engine & Powerlines (whichever comes first)
500 GH 1828	4 x 2	24 months or 150,000km	36 months or 200,000km

DISCLAIMER

Important notice. Hino Trucks are distributed in New Zealand by Hino Distributors (NZ) Ltd.

All efforts have been made to ensure the information contained in this brochure was correct at time of printing or uploading. Hino Distributors (NZ) Ltd reserves the right to alter any details of the specifications and equipment without notice. Hino in so far as it is permitted by law to do so, shall not be liable in any way as a result of any reliance placed by any person on anything contained in this brochure. You should therefore check with your authorised Hino dealer at the time of ordering your motor vehicle to ensure that colour, specifications, equipment, design features and options are available for the vehicle you are ordering. Please note that some options may only be available in combination with others. Authorised Hino dealers will on request provide up to date information on all accessories, design features, prices and availability.

Date of issue - 01/10/17 GH 1828 V1.1