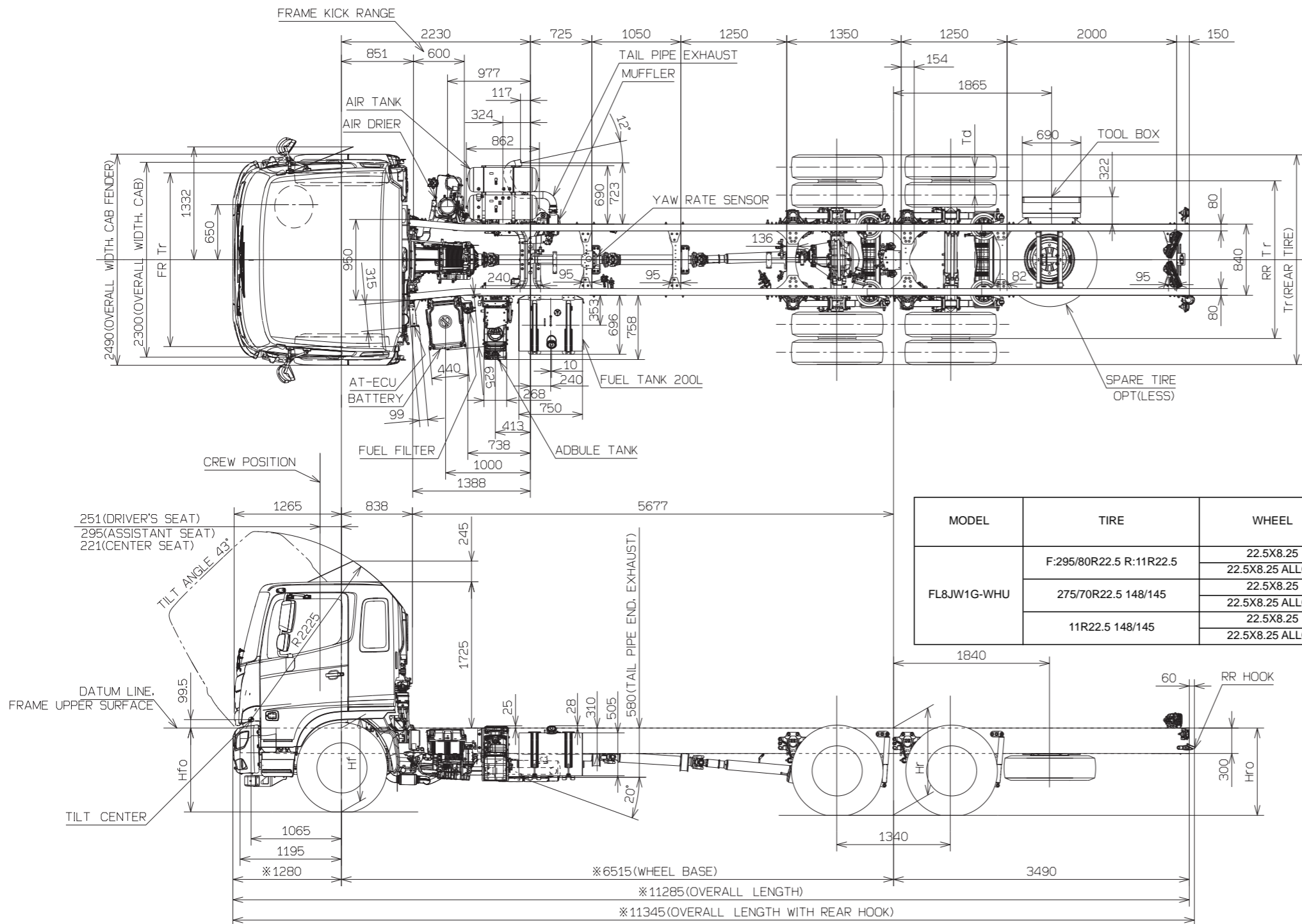


No. CH-30

Unit : mm



MODEL	TIRE	WHEEL	GROUND HEIGHT, FRAME UPPER SURFACE				FR Tr	RR Tr	Tr	Td
			Hf0	Hf	Hr	Hr0				
FL8JW1G-WHU	F:295/80R22.5 R:11R22.5	22.5X8.25	1020	1025	1040	1050	2050	1840	2455	330
		22.5X8.25 ALLOY	1020	1025	1040	1050	2070	1860	2470	330
	275/70R22.5 148/145	22.5X8.25	985	985	995	1000	2050	1840	2450	330
		22.5X8.25 ALLOY	985	985	995	1000	2070	1860	2470	330
	11R22.5 148/145	22.5X8.25	1030	1030	1040	1045	2050	1840	2455	330
		22.5X8.25 ALLOY	1030	1030	1040	1045	2070	1860	2470	330

NOTE: 1. Figures marked "*" dimensions are measured in parallel with the surface of the ground.
 2. The dimension of tire to be mentioned in above table shows design figure according to JATMA or ETRTO standard.